



PQ35L 2.0

Thermal Image Scope

HIKMICRO PANTHER PQ35L 2.0 Thermal Image Scope has a 640×512 thermal detector and 1024×768 OLED monitor. High thermal sensitivity ensures perfect detail recognition even in the hardest weather conditions when the object and background are with minimal temperature difference. The scope is mainly applied to scenarios such as hiking, hunting, searching and rescuing.

Key Features

- 640×512 thermal resolution with $12 \mu\text{m}$ detector
- High sensitivity thermal module NETD $< 20 \text{ mK}$ ($25^\circ\text{C}, F\# = 1.0$)
- 35 mm lens with detection range up to 1800 m
- 1024×768 resolution 0.39-inch OLED display
- Laser rangefinder detection range up to 600 m
- Supports audio and recoil-activated recording
- High shock resistance up to $1000 \text{ g}/0.4 \text{ ms}$
- Up to 5 hours of continuous operation

Specification

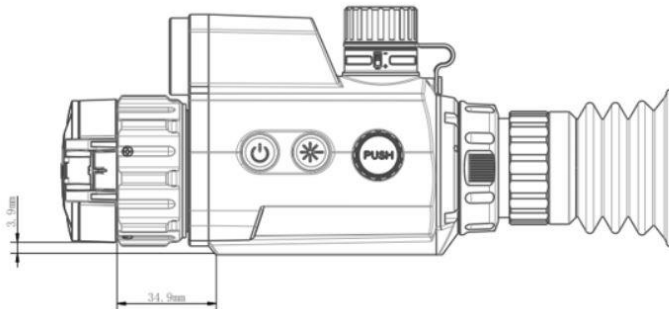
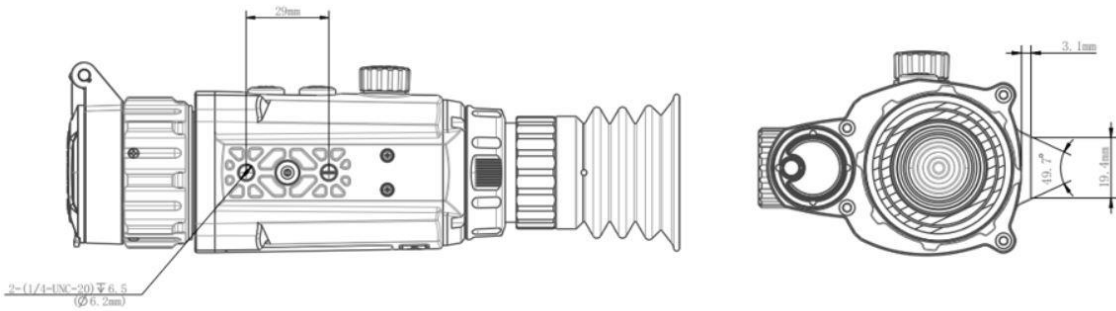
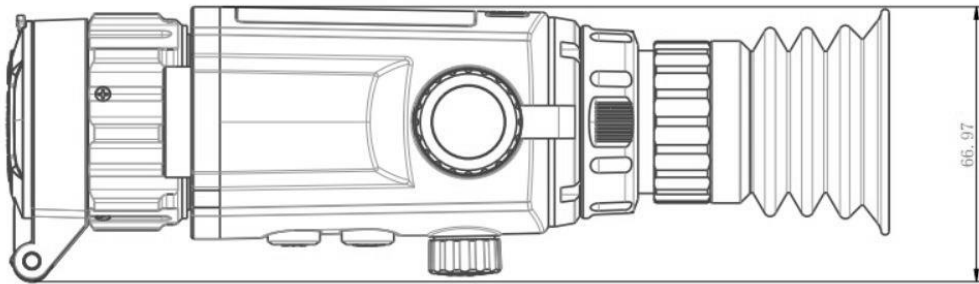
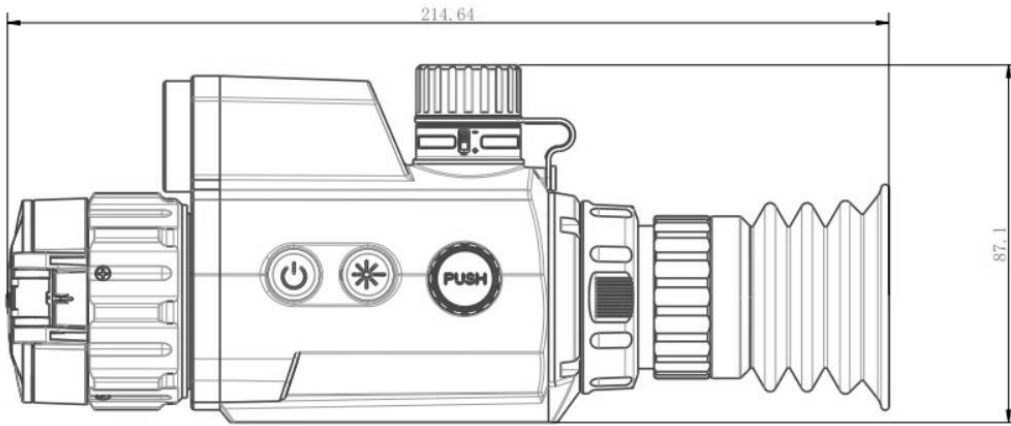
THERMAL MODULE	
IMAGE SENSOR	Uncooled Focal Plane Arrays
MAX. RESOLUTION	640 × 512
FRAME RATE	50 Hz
PIXEL INTERVAL	12 μm
NETD	Less than 20 mK (25°C, F# = 1.0)
LENS (FOCAL LENGTH)	35 mm
DETECTION RANGE	1800 m
MIN. FOCUSING DISTANCE	2 m
APERTURE	F1.0
MAGNIFICATION	1.82 ×
FIELD OF VIEW(H × V), DEGREES/M @100 M	12.52° × 10.03°/21.94 m × 17.55 m
IMAGE DISPLAY	
DISPLAY	1024 × 768, 0.39 inch, OLED
PALETTES	Black Hot, White Hot, Red Hot, Fusion
FFC (FLAT FIELD CORRECTION) MODE	Auto, Manual, External Correction
EXIT PUPIL	6 mm
EYE RELIEF	45 mm
DIOPTER (RANGE)	-5 D to 3 D
BRIGHTNESS ADJUSTMENT	Yes
TONE ADJUSTMENT	Cold, Warm
SYSTEM	
RECORD VIDEO	On-board Video Recording
CAPTURE SNAPSHOT	Yes
DIGITAL ZOOM	Continuous digital zooming, 1x to 8x
STANDBY MODE	Yes
STORAGE	Built-in EMMC (16 GB)
PIP	Yes
DPC	Yes
HOTSPOT	Yes

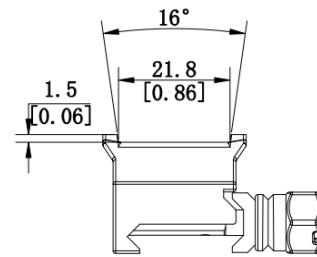
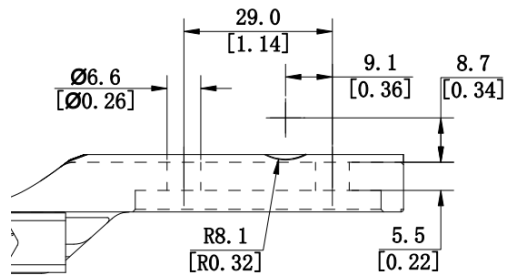
HOT TRACK	Yes
DISTANCE MEASUREMENT	Yes
RECOIL-ACTIVATION RECORDING	Yes
AUDIO RECORDING	Yes
MAX. RECOIL	1000 g/0.4 ms
POWER SUPPLY	
BATTERY TYPE	Replaceable and Rechargeable Li-ion Battery
BATTERY OPERATING TIME	≥ 5 h (25°C, with hotspot off)
TYPE-C POWER SUPPLY	5 V DC, 2 A Supports External Power Supply
GENERAL	
PROTECTION LEVEL	IP67
DIMENSION	214.64 mm × 66.97 mm × 87.10 mm
WEIGHT	518 g without Battery
WORKING TEMPERATURE	-30°C to +55°C (-22°F to 131°F)
LASER RANGEFINDER	
SAFETY CLASS FOR LASER	Class 1
WAVELENGTH	905 nm
MAX. MEASURING RANGE	600 m
MEASUREMENT ACCURACY	±1 m
MIN. MEASURING RANGE	10 m

Available Model

HM-TR26-35S1G/W-PQ35L 2.0

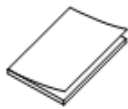
Dimension





Unit: mm

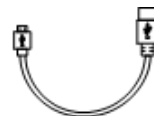
Accessories



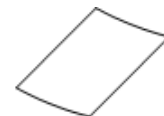
Quick Start Guide (x1)



Battery (x2)



Type-C Cable (x1)



Dust-free Cloth (x1)

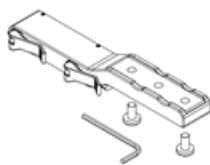


Bag (x1)



Battery Charger

Optional



Rail System
Rail(x1)
Screws(x2)
Wrench(x1)

COMPLIANCE NOTICE: The thermal series products might be subject to export controls in various countries or regions, including without limitation, the United States, European Union, United Kingdom and/or other member countries of the Wassenaar Arrangement. Please consult your professional legal or compliance expert or local government authorities for any necessary export license requirements if you intend to transfer, export, re-export the thermal series products between different countries.



 HIKMICRO Outdoor  hikmicro_outdoor  HIKMICRO Outdoor  HIKMICRO  info@hikmicrotech.com  <http://hikmicrotech.com/en>

Room 313, Unit B, Building 2, 399 Danfeng Road, Xixing Subdistrict, Binjiang District, Hangzhou, Zhejiang
@hangzhou microimage software co.,Ltd .2020 | data subject to change without notice!