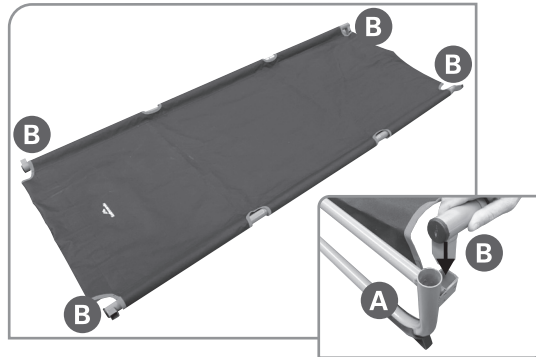


PARTS:

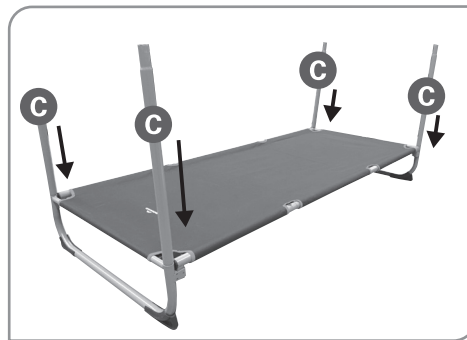
- A. Lower Bed Feet x2
- B. Lower Bed and Poles x1
- C. Extension Poles x4
- D. Upper Bed Feet x2
- E. Upper Bed with sides and Poles x1
- F. Safety Rails x2
- G. Bed Support Bars x2



1. Start assembling the lower bed, join the side pole sections. Inserting the bed poles (B) into the feet (A).



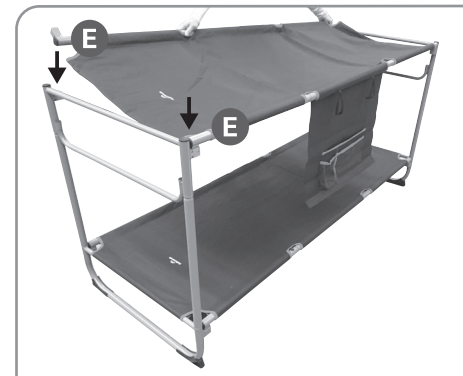
2. Wrap ends of the bed around foot poles, pulling taut and securing on the Velcro underneath.



3. Insert the extension poles (C) into the lower bed.



4. Attach upper bed feet (D) onto the extension poles.



5. Install the upper bed by inserting the bed poles (E). Hint: it is easier to fit one side first then move to the other.

6. As per step 2, wrap ends of the bed around foot poles, pulling taut and securing on the Velcro underneath.



7. Install the side safety rails (F). Wrap the fabric sides over the rails, secure in place with Velcro.



8. Attach the underside support bars to each bed.

