



WATERSNAKE®

FIERCE 2 BOW MOUNT ELECTRIC MOTOR OWNERS MANUAL



FIERCE 2 54LB/48" (55276)

FIERCE 2 65LB/54" (55277)



BEFORE YOU BEGIN:

Trolling motors are high-current devices that require an ideal power supply. Follow these steps to avoid problems:

1

**12V DEEP CYCLE
OR LIFEPO4
BATTERIES ONLY**

MORE INFO ON PAGE 13

2

**EXTENDING THE
BATTERY CABLES?**

IMPORTANT INFO ON PAGE 14

3

SUGGESTED BATTERY SIZE:

**MOTOR SIZE
54LB - 80LB**

**BATTERY SIZE
100AH OR LARGER**

WELCOME TO WATERSNAKE

Congratulations and welcome to a world of silent motoring.

Powerful yet silent, the Watersnake electric motors are built to suit all angling conditions. High quality materials, superior design and precision engineering make these motors longwearing and reliable.

IMPORTANT

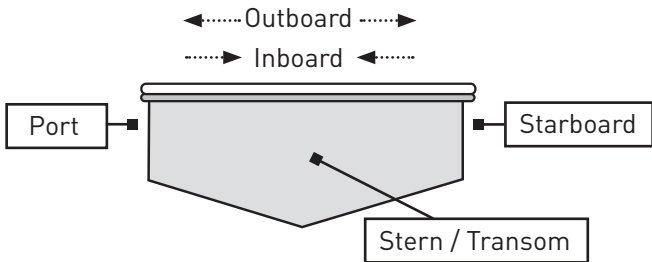
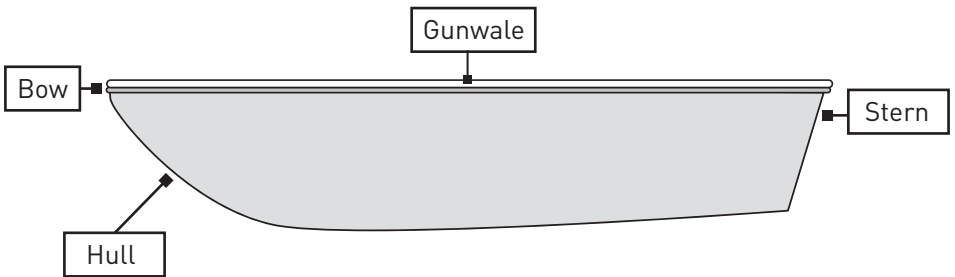
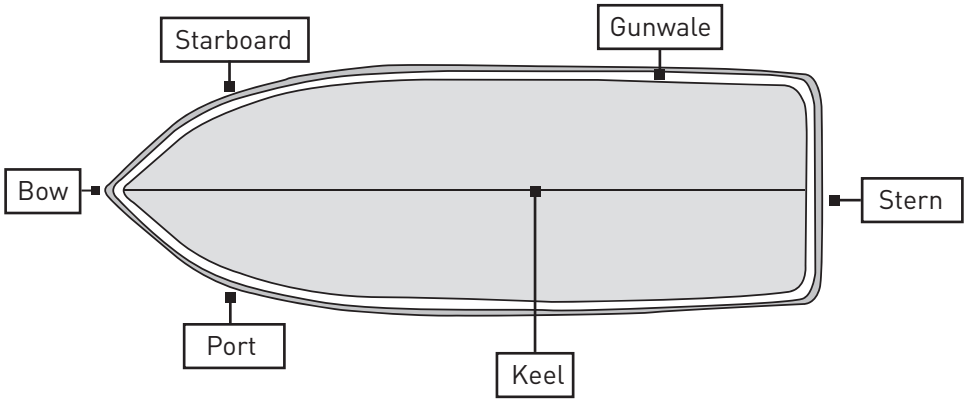
Please read this manual completely before starting installation and using the electric motor.

Disclaimer: The information provided in this Watersnake Motor Manual is correct at time of printing. For the most up to date information, check for the latest version on our website at:
www.watersnake.com.au/pages/watersnake-user-manuals

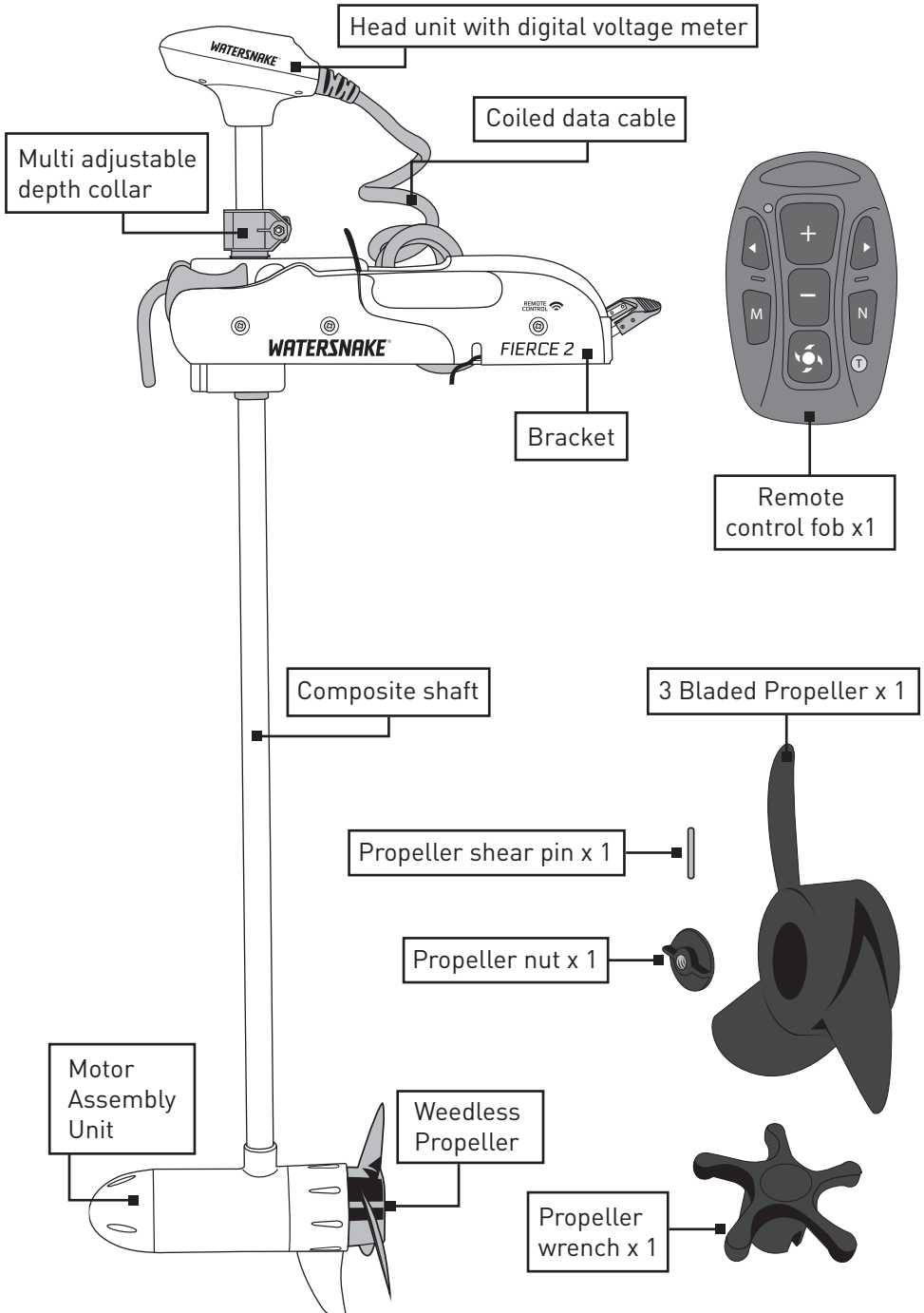
CONTENTS

KNOW YOUR BOAT	4
FEATURES AND CONTENTS	5
INSTALLATION	
Pre-installation checklist	6
Installation direct mount	8
Installation with optional quick release brackets	9-12
BATTERY AND POWER	13
EXTENDING BATTERY LEADS	14
BATTERY CHARGING	14
CONNECTING YOUR MOTOR TO THE BATTERY	15
PRE-USE CHECKLIST	15
ATTACHING THE PROPELLER	16
DEPLOYMENT INSTRUCTIONS	17-19
STOWING INSTRUCTIONS	20-22
INITIAL POWER UP	23
REMOTE CONTROL	24
PAIR THE REMOTE TO THE MOTOR	25
REPLACING THE BATTERIES ON YOUR REMOTE CONTROL	26
RECOMMENDATIONS	27
MAINTENANCE	28
TROUBLE SHOOTING	29-30
SERVICING	31
SPECIFICATION CHARTS	32-33
SCHEMATICS AND PARTS LISTS	34-41
SPARE PARTS AND WHERE TO ORDER THEM	42

KNOW YOUR BOAT



FEATURES AND BOX CONTENTS



PRE INSTALLATION CHECKLIST

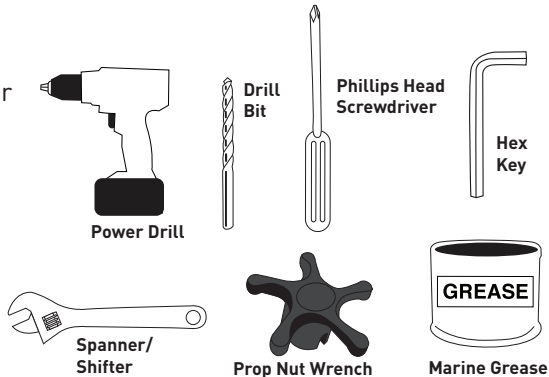
- Familiarise yourself with this user manual and the various parts of your Watersnake motor, labelled in the illustrations.
- Select desired mounting location on boat.
- 12v deep cycle or LiFePO4 battery (your Watersnake motor is not designed for use with car / truck / motorcycle or marine cranking batteries) – for more information about appropriate batteries for your Watersnake motor, refer to page 17.
- Check battery cable length in relation to location of your 12v deep cycle or LiFePO4 battery. If extension to battery cable is required, refer to table on page 18.

PLEASE NOTE:

Your Watersnake motor does not come supplied with any mounting hardware. Mounting hardware is only included with the optional Watersnake quick release nylon or alloy brackets. See page 7 and 8 for mounting hardware.

FITTING THE MOTOR TO THE BOAT TOOLS REQUIRED

- Power drill
- 6mm drill bit
- Phillips head screwdriver
- Hex key, 5mm
(for optional quick release plate mounting)
- 10mm spanner/shifter
- Prop nut wrench (supplied)
- Marine grease



THE BELOW INFORMATION IS FOR THE USA ONLY.



WARNING: This product can expose you to chemicals including Lead and Lead Compounds, which is known to the state of California to cause Cancer, Birth Defects or other reproductive harm. For more information, go to www.P65Warnings.ca.gov.

INSTALLATION

THERE ARE THREE WAYS TO ATTACH YOUR MOTOR TO YOUR BOAT:

Option 1 - Direct installation of the motor to your boat without a quick release bracket.

Option 2 - Installation of the motor to you boat with an optional nylon quick release bracket.

Option 3 - Installation of the motor to you boat with an optional alloy quick release bracket.

PLEASE NOTE:

Option 2 and 3 is the preferred method for mounting the Fierce 2 motor. It allows for quick and easy dismounting and remounting of the motor. Watersnake has two alternate Quick Release Brackets available and these are outlined on pages 9-12 of this manual. Watersnake Quick Release Brackets are readily available at stockists of electric trolling motors or online.

Remove side covers to expose mounting plate.

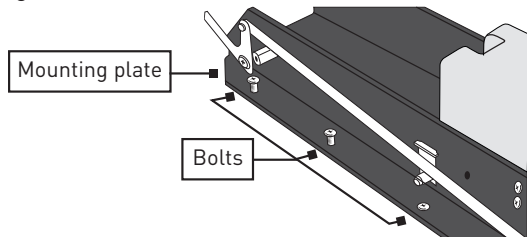
After the motor is mounted, replace covers.

To remove the side covers remove the Phillips head screws as shown. To re-attach a side cover, place it into position and resecure screws. Do not overtighten the screws.



Fit bolts down through mounting plate and foredeck.

Use 6mm or 1/4" bolts, washers and nylon locking nuts. All fasteners should be of 316-grade stainless steel.



PLEASE NOTE:

Your Watersnake motor does not come supplied with any mounting hardware. Mounting hardware is only included with the optional Watersnake quick release brackets

PLEASE NOTE:

Watersnake accepts no liability for personal injury or property damage caused while fitting this motor. Please wear appropriate protective clothing and eyewear/face protection. Avoid contacting and/or inhaling fibreglass dust or aluminium shavings.

INSTALLATION

OPTION 1

ATTACHING THE MOTOR TO YOUR BOAT WITHOUT THE OPTIONAL QUICK RELEASE BRACKET

Before beginning the process of attaching the motor to your boat please ensure the entire Watersnake mount assembly must be mounted in a level, horizontal position as close to the boat's centreline as possible. The Watersnake motor does not necessarily need to face directly forward. On slightly curved decks, spacer washers or blocks must be used to ensure level mounting of the motor base. In some cases it may be necessary to fabricate a mounting plinth from alloy or fibreglass to provide a level location. If you are unsure please consult your marine technician.

Use 6mm or 1/4" bolts, washers and nylon locking nuts. All fasteners should be of 316-grade stainless steel. On aluminium boats, use thin rubber washers, gasket material or a film of neutral-cure marine silicone to limit bolt contact with alloy to reduce electrolysis.

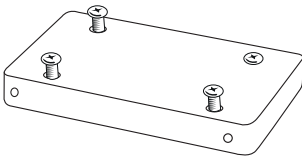
- 1** "Dry fit" to determine the most suitable position on the boat. Choose a site that offers the least exposure to heavy spray or chance of immersion, especially of the head unit and rear of base mount assembly.
- 2** Remove side covers from the base mount to reveal the six mounting holes. At least four must be fastened to the boat deck with approved bolts, washers and nuts.
- 3** With motor in stowed position, check that no part of the entire assembly, including the shaft and head unit, is obstructed by any part of the boat, eg, rails, seats, opening hatches, etc. Check that no part of boat impedes full deployment of motor.
- 4** Check with the motor in a deployed position that the Watersnake shaft does not come into contact with any part of the hull. Allow at least 30mm clearance from boat gunwale.
- 5** Check with the motor in a deployed position that the propeller and lower unit do not contact any part of the hull through complete 360° rotation.
- 6** Mark potential mounting holes in lower deck. Check that all holes allow access below deck for protruding bolt, washers and spanner. Mark and drill holes.
- 7** Fit at least four bolts down through motor mounting plate and through foredeck. Fit the washers and nylon locking nuts from below. Do not overtighten.
- 8** Apply a light smear of marine grease to pivot points on lock/release lever and turnbox pivot points. Replace the side covers.

INSTALLATION

OPTION 2 - (NYLON QUICK RELEASE BRACKET) ATTACHING THE MOTOR TO YOUR BOAT USING THE OPTIONAL NYLON QUICK RELEASE BRACKET

Before beginning the process of attaching the motor to your boat, please ensure the entire Watersnake mount assembly, including the optional quick-release plate, must be mounted in a level, horizontal position as close to the boat's centreline as possible. The Watersnake motor and quick-release plate do not necessarily need to face directly forward. On slightly curved decks, spacer washers or blocks must be used to ensure level mounting of the motor base and/or lower quick-release plate. In some cases it may be necessary to fabricate a mounting plinth from alloy or fibreglass to provide a level location. If you are unsure please consult your marine technician.

1. QUICK RELEASE BOTTOM PLATE INSTALLATION

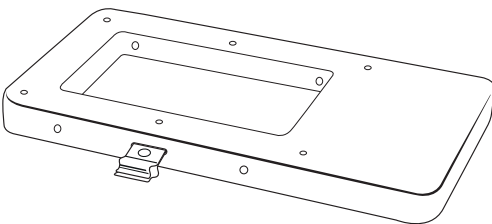


Attach the Quick Release Bottom Plate to the bow of the boat, taking care to ensure it is on the centreline of the boat and placed forward enough so that when the motor is attached the shaft of the motor is not making contact with the boats gunwale rubber. With the plate in position, mark the holes for drilling,

ensuring as you do that the bow area below the mounting location is clear and accessible.

Attach the Quick Release Bottom Plate to the bow using the stainless steel bolts, nuts and washers provided. It is important when doing this work that the boat is level.

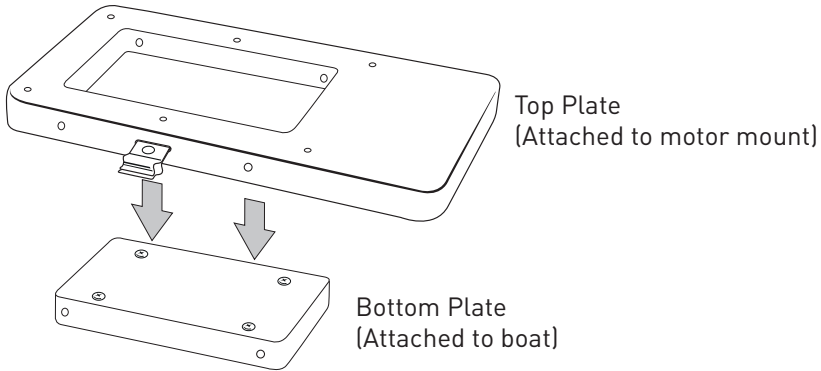
2. QUICK RELEASE TOP PLATE INSTALLATION



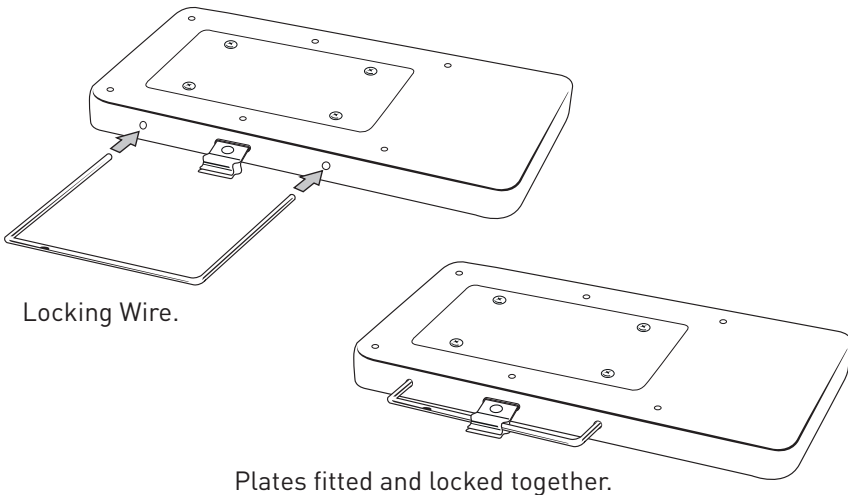
Remove the side covers from the motor mount. Using the bolts washers and nuts provided, attach the Quick Release Top Plate to the motor mount. The foot print of the Top Plate includes several pre-drilled holes to suit a variety of motor types.

INSTALLATION

3. Position the motor bracket with the Quick Release Top Plate on top of the Bottom Plate, which you have mounted to the boat in step 1.



4. To lock both plates together, push the steel Locking Wire all the way into the holes shown here, so the Wire becomes secured by the metal clasp.



PLEASE NOTE:

Watersnake accepts no liability for personal injury or property damage caused while fitting this motor. Please wear appropriate protective clothing and eyewear/face protection. Avoid contacting and/or inhaling fibreglass dust or aluminium shavings.

INSTALLATION

OPTION 3 - (ALLOY QUICK RELEASE BRACKET) ATTACHING THE MOTOR TO YOUR BOAT USING THE OPTIONAL ALLOY QUICK RELEASE BRACKET

Before beginning the process of attaching the motor to your boat please ensure the entire Watersnake mount assembly, including the optional quick-release plate, must be mounted in a level, horizontal position as close to the boat's centreline as possible. The Watersnake motor and quick-release plate do not necessarily need to face directly forward. On slightly curved decks, spacer washers or blocks must be used to ensure level mounting of the motor base and/or lower quick-release plate. In some cases it may be necessary to fabricate a mounting plinth from alloy or fibreglass to provide a level location. If you are unsure please consult your marine technician.

INSTALLATION (SEE NEXT PAGE FOR DIAGRAM)

The bracket consists of two plates, top and bottom. Use the six screws (no.3) and washers (no.5) provided to attach the top plate (no.1) to the bottom of your bow mount motor and secure with locknuts (no.4). Use the screws (no.7) provided to fix the bottom plate to the bow section of your boat.

ATTACHING THE MOTOR TO YOUR BOAT

Rotate the latch (no.8) on the top plate counter clockwise until it stops. Place the top plate (no.1) onto bottom plate (no.6) the two plates will fit into one another. Turn the latch (no.8) clockwise until tight to lock the two plates in place. Seat the latch (no.8) over the top of the shackle (no.9). A padlock can be passed through the shackle (no.9) to secure your motor.

REMOVING THE MOTOR FROM YOUR BOAT

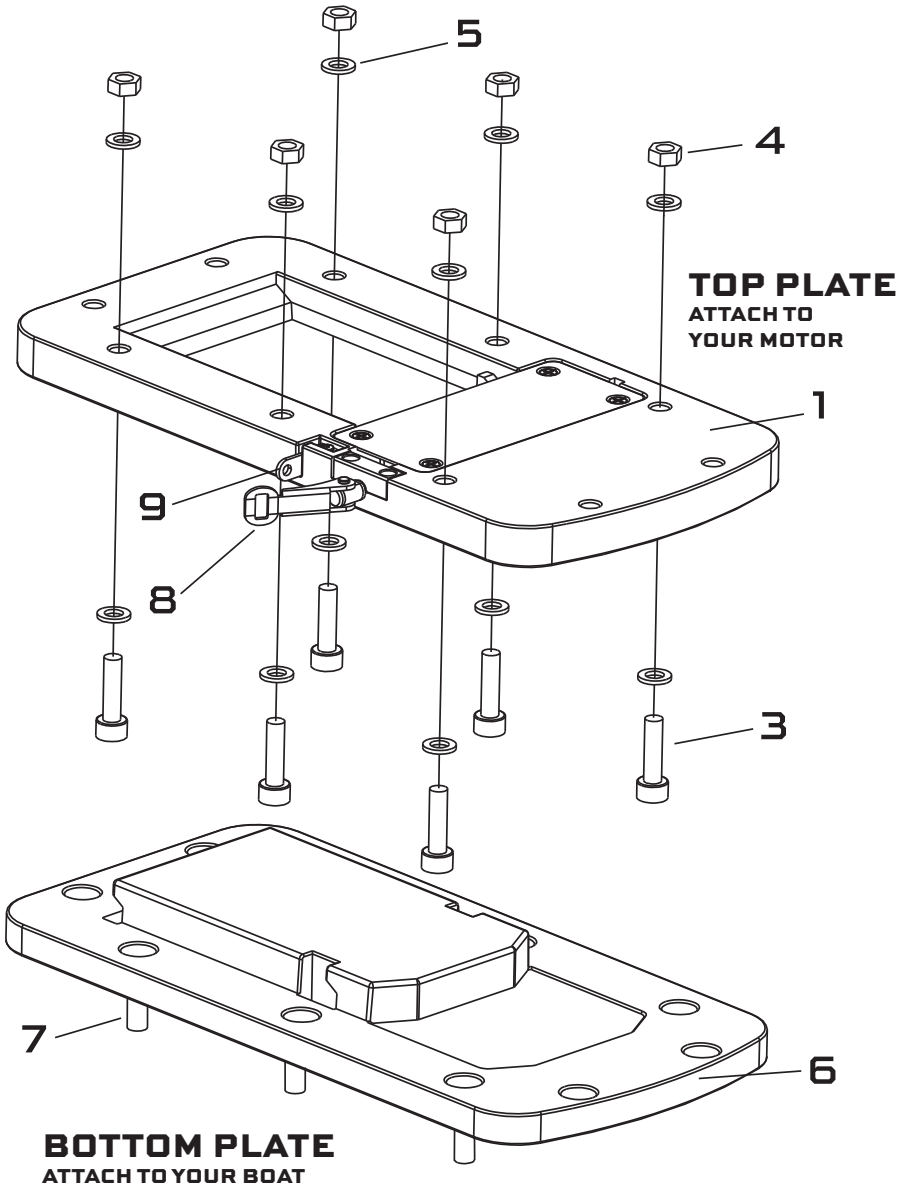
Rotate the latch (no.8) counter-clockwise until tight. Slide the motor and lift to remove.

PLEASE NOTE:

Watersnake accepts no liability for personal injury or property damage caused while fitting this motor. Please wear appropriate protective clothing and eyewear/face protection. Avoid contacting and/or inhaling fibreglass dust or aluminium shavings.

INSTALLATION

OPTIONAL ALLOY QUICK-RELEASE BRACKET



BATTERY AND POWER



CAUTION: Please read the following information before you connect your electric motor to your battery.

BEST PRACTICES

INSTALLING AND CONNECTING YOUR FIERCE 2 MOTOR

1. Your Watersnake motor is designed to be powered by a 12v deep cycle or LifePO4 battery that should output no more than 14.5v. If the voltage input to your Watersnake motor exceeds 14.5v it may damage the sensitive electronics and void your warranty.
If you are unsure about the voltage output of your battery, contact your battery supplier or consult a marine auto electrician.
2. This Watersnake motor is compatible with a battery system that is being charged by an alternator or solar system, so long as the voltage input to the Watersnake motor does not exceed 14.5v whilst the battery is being charged. If you are unsure about the voltage that your motor is receiving, consult a marine auto electrician.
3. Route the wiring from the battery to the trolling motor on an alternate route or path to other wiring on the boat. If possible, it is preferable the wire is fitted to the opposite side of the boat to other wiring.
4. If you have to extend the wiring to connect the motor please review the extending battery leads section of the manual (page 14) so you fully understand this process.
5. This Watersnake Fierce 2 trolling motor does not require a circuit breaker. This motor has built in circuit protection.

BATTERY TYPE

USE A 12 VOLT DEEP CYCLE OR LIFEPO4 BATTERY

Deep-cycle batteries deliver sustained power with low current draw over extended periods. They can be drained to low levels without developing a “memory” and can be fully recharged hundreds of times over their working lives. Do not use a standard car, truck or marine battery (called a cranking battery). They are designed to provide a pulse of “cranking power” over a short period, can develop a “memory” preventing complete recharge and can produce current surges that may damage sensitive electronic components on your Watersnake.

Lithium Iron Phosphate (LiFePO4) are the safest lithium battery type. We recommend doing your research on a LiFePO4 battery before purchasing to make sure you are purchasing from a reputable company. There are many cheap lithium batteries on the market that can be harmful to your Watersnake motor.

BATTERY AND POWER

EXTENDING BATTERY LEADS

The longer your battery cable needs to be, the thicker it needs to be to avoid damaging voltage drop. The supplied cable has the correct wire gauge (thickness) for its length. But if you need to extend the length by more than 30%, you will need to replace the existing cable completely with a new longer thicker cable. This means the entire cable will be the correct wire gauge for the new length. See below to find the correct wire gauge for your motor thrust and required cable length. Only use twin-sheathed tinned cable.

Motor Model/Thrust	Max AMP Draw	Wire Extension Length / Wire Gauge For Entire Cable		
54LB	54A	1 Metre (6AWG)	1-3 Metres (6AWG)	3-5 Metres (4AWG)
65LB	50A	1 Metre (6AWG)	1-3 Metres (6AWG)	3-5 Metres (4AWG)

Note that above table is intended as a guide only. Your local electrical supplier will be able to advise in greater detail based on your particular set up and requirements.

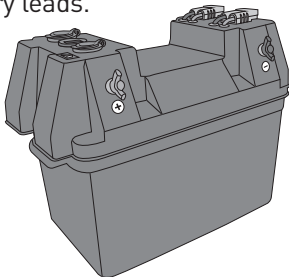
BATTERY CHARGING

You can charge your battery via an alternator or solar system, so long as the voltage input to the Watersnake motor does not exceed 14.5v whilst the battery is being charged. If you are unsure about the voltage that your motor is receiving, consult a marine auto electrician.

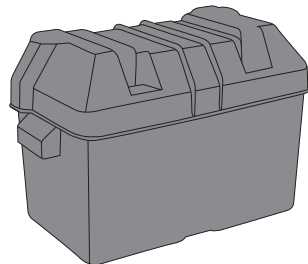
When you are off the water and are charging your battery at home for long periods of time, we recommend you disconnect the motor from the battery via the supplied Anderson plugs.

AVOID USING STORE-BOUGHT BATTERY BOXES WITH BUILT-IN CIRCUITRY

Battery Boxes use low quality electrical components that cannot handle the high current loads that trolling motors draw. We recommend connecting your Watersnake motor directly to a deep cycle or LiFePO4 battery using the provided battery leads.



**BATTERY BOX WITH
BUILT IN CIRCUITRY.
DO NOT USE!**



**SIMPLE BATTERY
BOX WITH NO
CONNECTIONS
OK TO USE!**

BATTERY AND POWER

CONNECTING YOUR MOTOR TO THE BATTERY

All Watersnake wiring connections should conform to best marine standards. Soldered, sealed and heat-shrink protected. If you doubt your ability to produce quality waterproof connections or lack the equipment, consult a marine technician or auto electrician.

- Your Watersnake comes factory-fitted with a standard length of twin flex wiring with ring terminals to attach to the battery.
- Before connecting the motor's cables to the battery terminals, ensure all switches are in the OFF position and stand clear of the propeller.
- Connect the red cable to the positive (+) terminal and the black cable to the negative (-) terminal, making sure the terminals are clean before doing so. A clean connection will minimise power wastage and give you maximum power from the battery.
- When not in use please make sure that the motor is disconnected from the battery.

USING THE MOTOR

PRE-USE CHECKLIST – CHECK BEFORE EACH USE

- Ensure that your Watersnake motor is securely attached to your boat (refer to page 7 of manual)
- Fully charged 12v deep cycle or LiFePO4 battery (your Watersnake motor is not designed to be used with a car / truck / motorcycle or marine cranking battery)
- Check battery cable for any signs of damage or exposed wiring
- Check terminals for any signs of corrosion or debris
- Check Anderson plugs are clean and corrosive free

PLEASE NOTE: Please ensure this Watersnake motor is not your only means of propulsion. Please follow the marine safety guidelines set by your state or country of use.

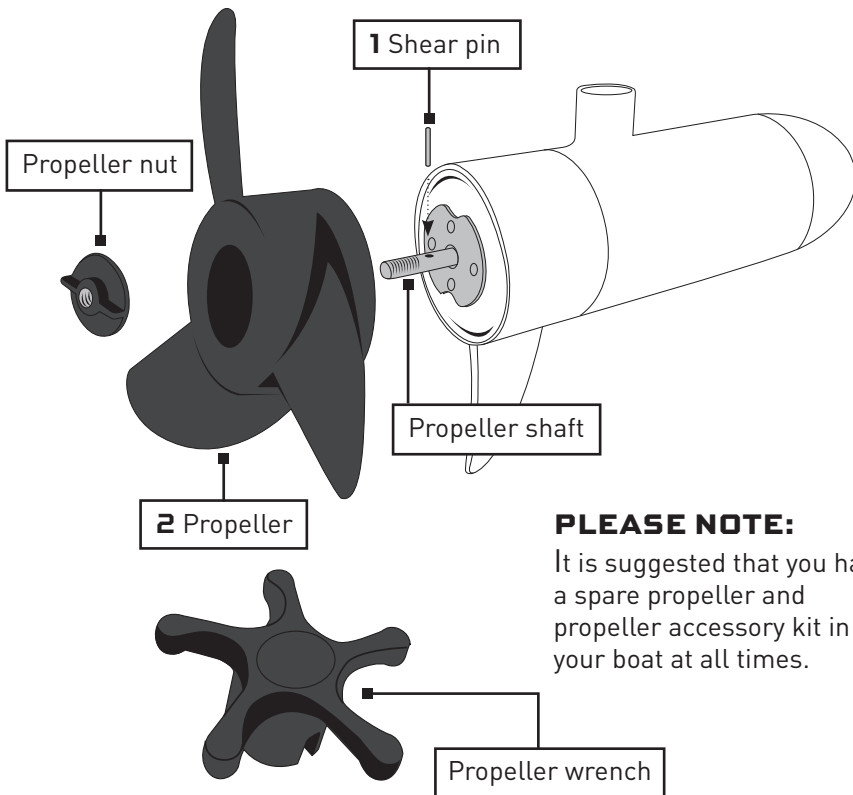
PROPELLER ASSEMBLY

ATTACHING THE PROPELLER

IMPORTANT!

BEFORE DOING ANYTHING WITH THE PROPELLER, ENSURE THE CABLES TO THE BATTERY ARE DISCONNECTED.

- 1:** Place shear pin in shaft as shown.
- 2:** Align the propeller against the shear pin on the shaft (there is a groove on the back of the propeller which the shear pin needs to slot into) and then tighten the propeller nut securely using the propeller wrench. Do not overtighten; check regularly.



PLEASE NOTE:

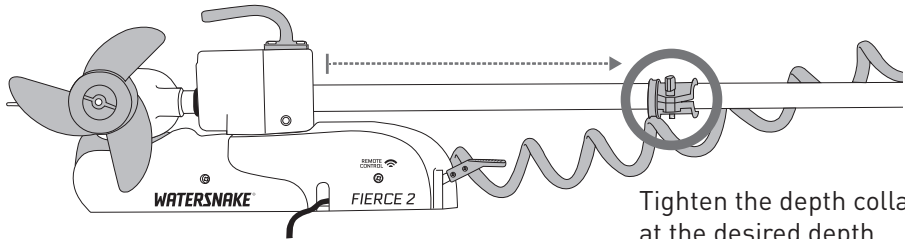
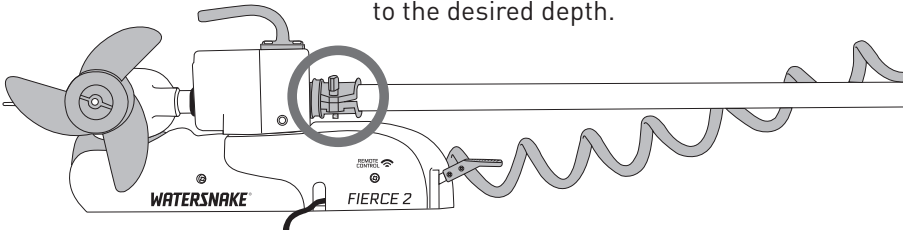
It is suggested that you have a spare propeller and propeller accessory kit in your boat at all times.

DEPLOYING INSTRUCTIONS

Failure to deploy your Watersnake as described below may damage your unit, invalidating its warranty, and could injure you and/or other people.

STEP 1:

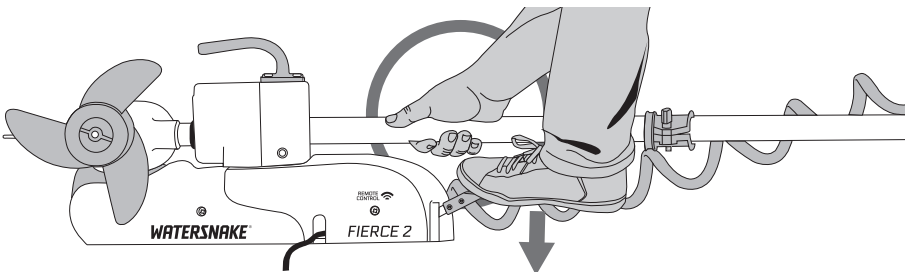
Loosen the depth collar and slide it up the shaft to the desired depth.



Tighten the depth collar at the desired depth.

STEP 2:

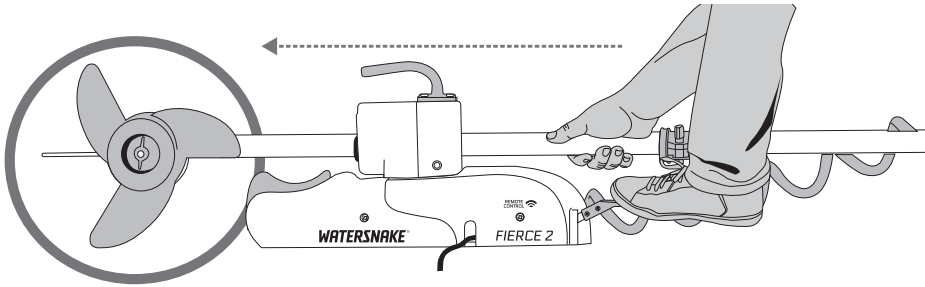
Firmly grab hold of the main shaft and gently press down with your hand or your foot onto the bracket release lever.



DEPLOYING INSTRUCTIONS

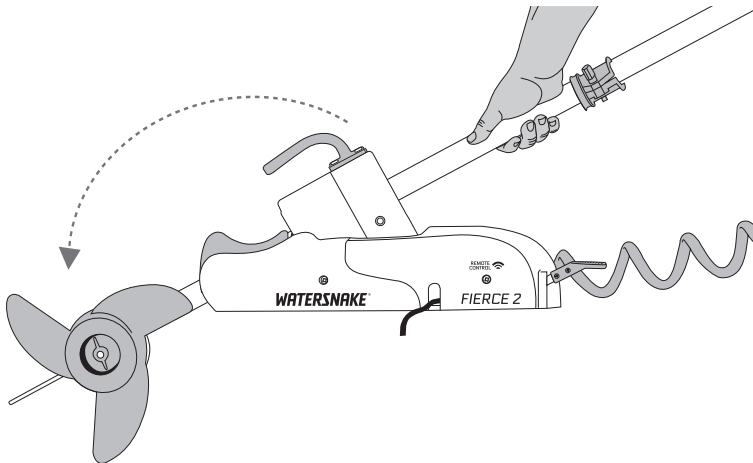
STEP 3:

when the locking clamps release slide the shaft through the tuning box unit until the lower motor unit is completely free from the locking clamps.



STEP 4:

Slowly rotate the released motor unit into the deployed position. When you hear a click the motor is locked into place. Do not let go of the shaft during this process as you may damage the motor.



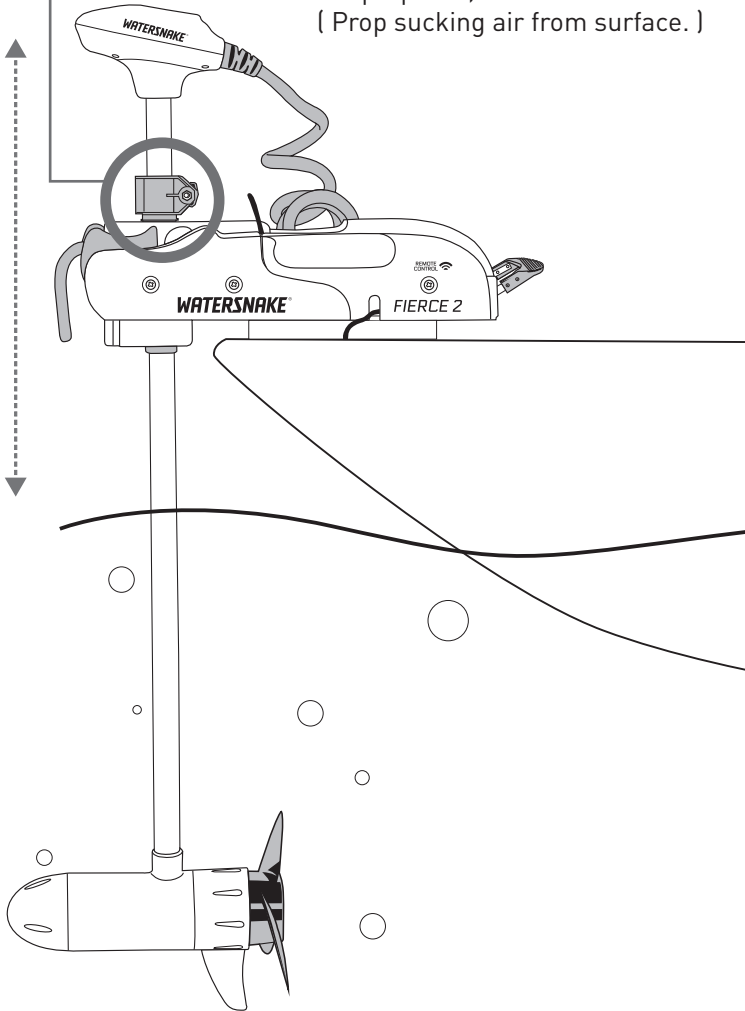
DEPLOYING INSTRUCTIONS

IMPORTANT!

Make sure the depth collar is slotted flush into the turning box.

STEP 6:

Once the motor is deployed rotate the shaft with your hand until the depth collar slots into the turning box, then adjust the height. The lower motor unit needs to be at least 30cm below the waterline to the top of the propeller, to avoid ventilation. (Prop sucking air from surface.)



PLEASE NOTE:

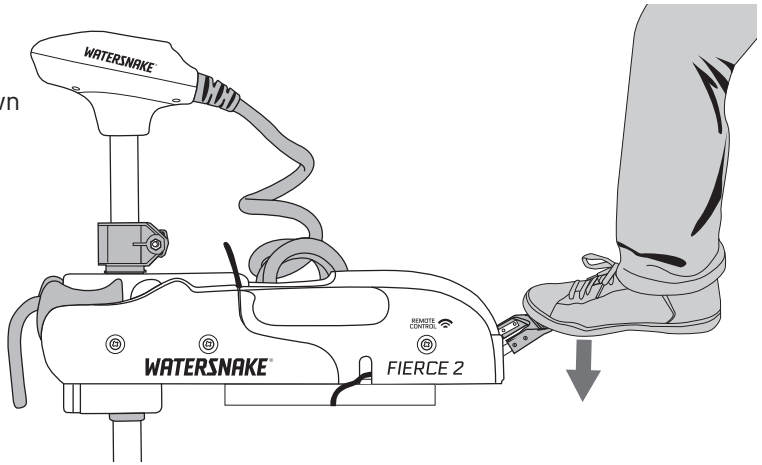
Watersnake Distribution Pty Ltd accepts no liability for injury or damage caused by the incorrect deployment or stowing of this motor.

STOWING INSTRUCTIONS

Failure to stow your Watersnake as described below may damage your unit, invalidating its warranty, and could injure you and/or other people.

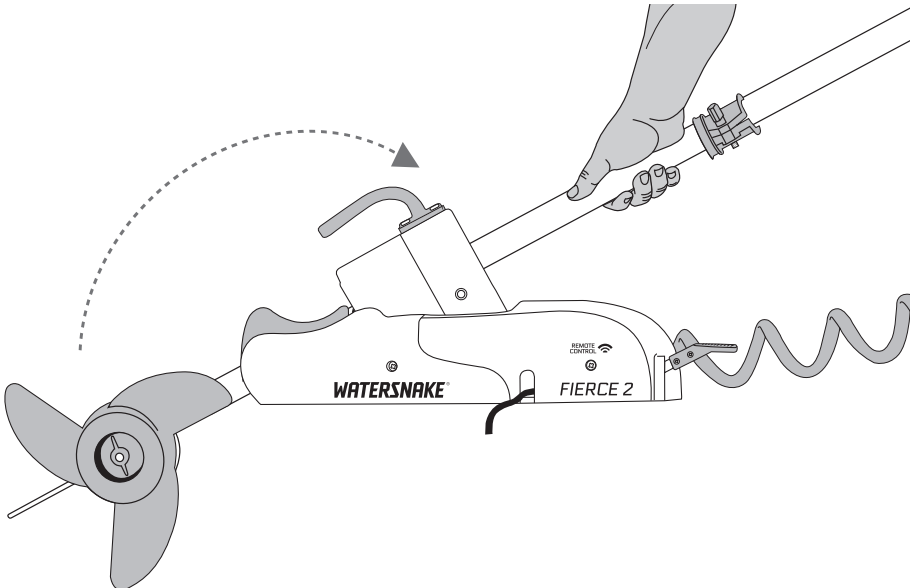
STEP 1:

Gently press down with your hand or your foot onto the bracket release lever to disengage the locking mechanism.



STEP 2:

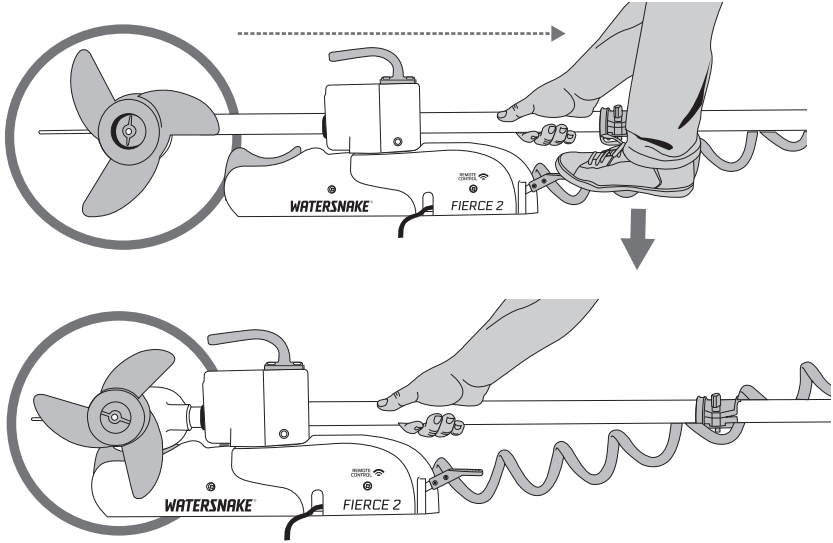
Slowly Pull up and rotate the released motor unit into the stowed position.



STOWING INSTRUCTIONS

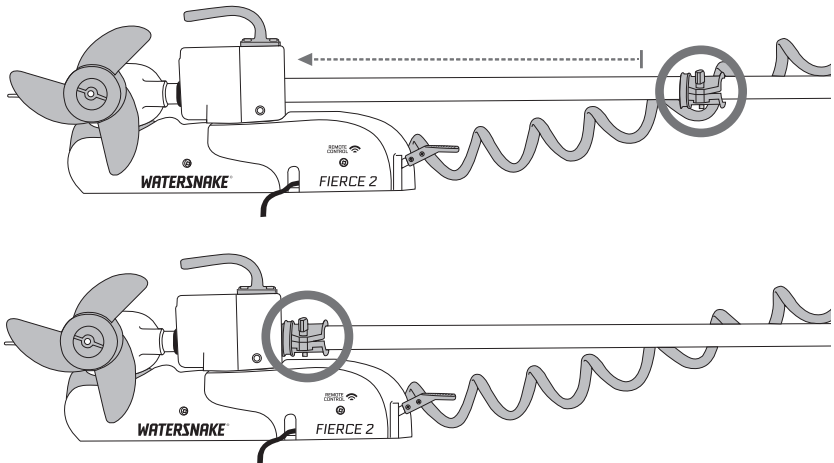
STEP 3:

Gently press down with your hand or your foot on the bracket release lever and pull the motor back into the locking clamps until you hear a click. This the lower motor unit is now locked in place.



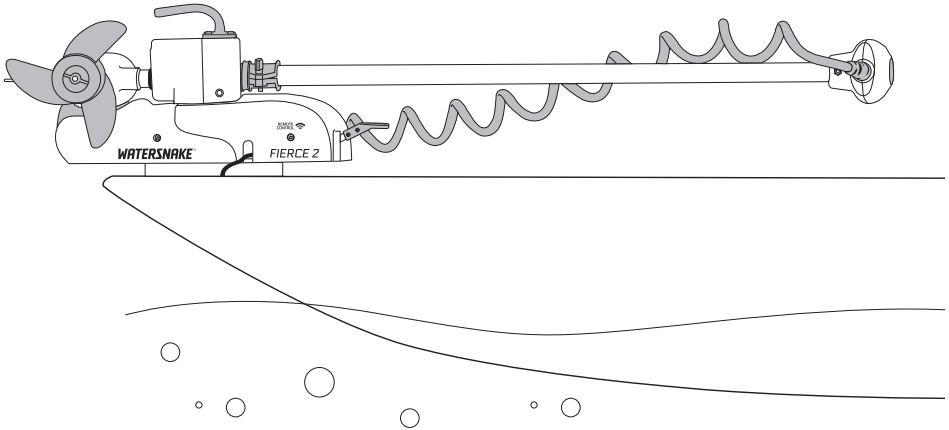
STEP 4:

Loosen the depth collar on the motor shaft and slide it so that it is flush up against the turning box unit then re-tighten it. This will prevent the motor from self deploying whilst in transit.



STOWING INSTRUCTIONS

MOTOR IN CORRECTLY STOWED POSITION



RECOMMENDATIONS:

Ensure your motor is properly stowed and secured before high-speed travel on the water or on the road. Additional support of the head unit may be required. Watersnake accepts no liability for injury or damage caused by the incorrect deployment or stowing of this motor.

For travel over long distances or over rough terrain, Watersnake recommends you remove the motor from the boat it is installed on and stow it securely in a safe and secure position with protection from bad weather.

After your boating trip deploy the motor and gently clean it of any contaminants with a sponge or rag. Do not spray the motor with high pressure water. After the motor is clean lubricate it's main shaft so that it is ready for the next trip.

While storing your motor after your boating trip it is recommended to disconnect it from the battery.

PLEASE NOTE:

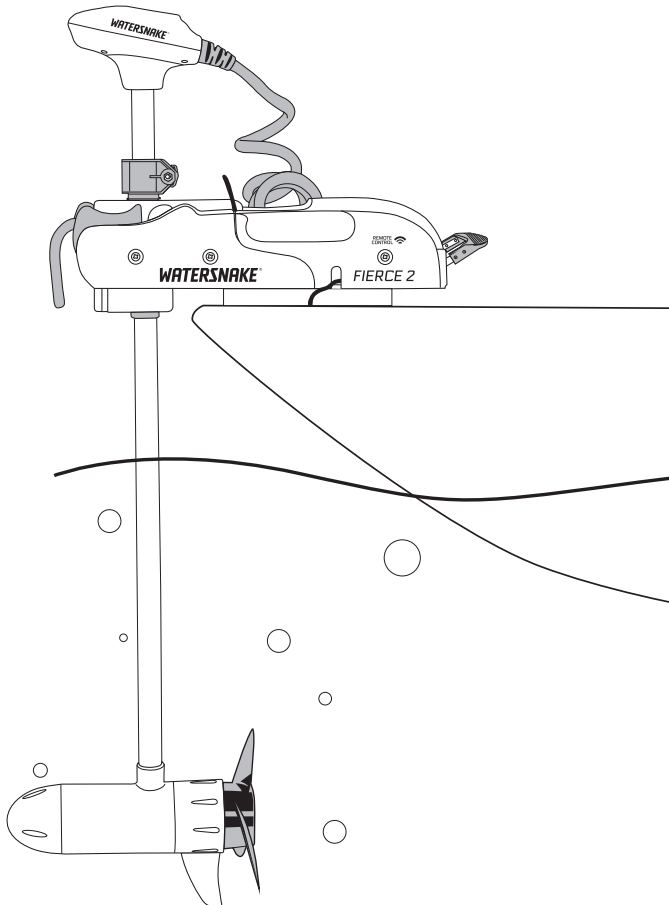
Watersnake Distribution Pty Ltd accepts no liability for injury or damage caused by the incorrect deployment or stowing of this motor.

INITIAL POWER-UP

- Attach your Watersnake Fierce 2 motor to a 12 volt deep cycle battery. For full instructions on this see page 15.
- Deploy the motor and ensure locking lever is in the up position.

NOTE: Your Watersnake motor is fitted with a tilt switch that prevents the motor from running unless it is in the deployed (vertical) position.

NOTE: Your Watersnake remote control unit will already be paired to the motor out of the box. If it is not please refer to the pairing instructions on page 25.

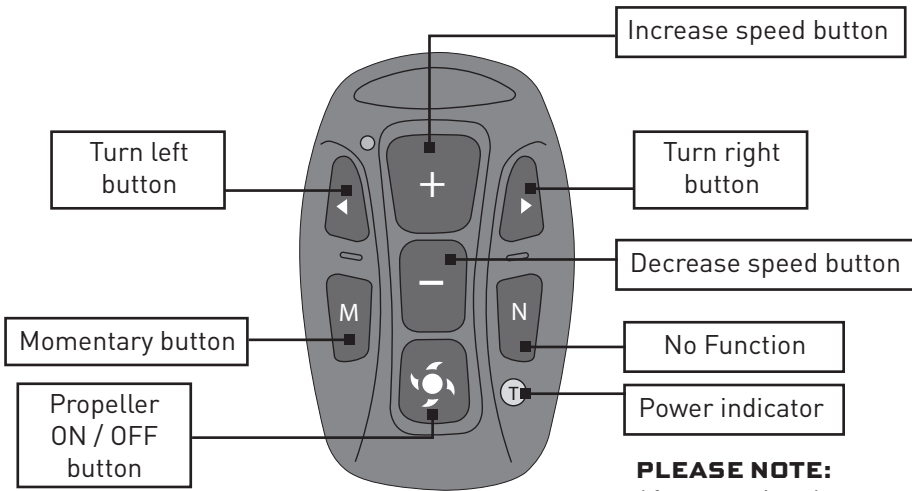


REMOTE CONTROLLER

Do not attempt to operate the Remote Control while outside your floating boat. The Remote unit is splashproof but not submersible. Do not immerse. Use the lanyard provided to ensure the Remote is at hand whenever required. Use the neck lanyard for convenience but be careful not to immerse when leaning close the the water.

- The remote control uses 2 x AAA Batteries
- Battery compartment is on underside and requires phillips head screwdriver. To ensure ultimate reliability, keep spare batteries and suitable screwdriver on board.
- Watersnake recommends you carry spare batteries for the FOB on your boat at all times to ensure you have replacements in case of failure of those in the FOB unit. (**This fob unit requires 2 x AAA batteries**)

REMOTE CONTROL OPERATIONS



PLEASE NOTE:
This remote is not waterproof.
DO NOT GET WET!

PLEASE NOTE:
After pressing the power indicator button the indicator light on the remote unit flashes red to show that it has power.

HOW TO PAIR THE REMOTE CONTROL TO THE MOTOR

If the remote control unit becomes unpaired and cannot be connected to the motor please take the following steps.

STEP 1:

Deploy the motor and connect to a battery.

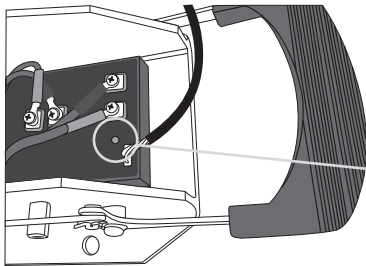
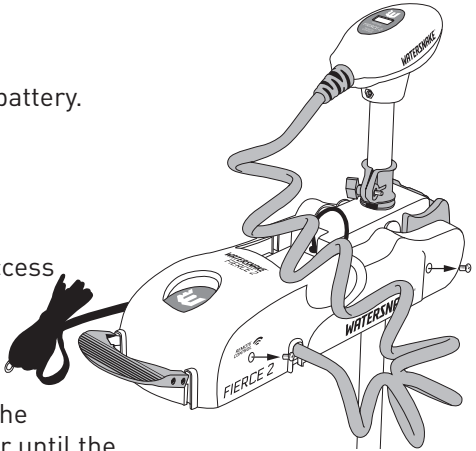
STEP 2:

Remove the bracket covers.

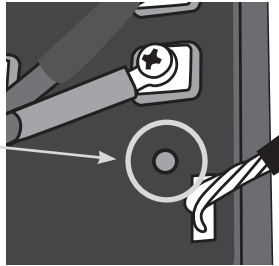
To remove the bracket covers remove the Phillips head screws as shown to access the pairing button.

STEP 3:

Locate the pairing button as shown on the bracket and press down for 3 seconds or until the red light on the receiver unit starts to flash.

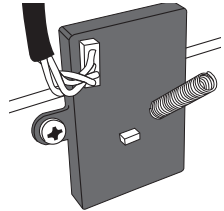


PAIRING BUTTON



RECEIVER UNIT

Note: The receiver unit is located near the pairing button.



STEP 4:

With the red light flashing on the receiver press any button on the remote control. When the light on the receiver stops flashing and remains on the motor is paired to the remote.

YOUR REMOTE SHOULD NOW BE CONNECTED.

Test that the remote control unit controls the motor as expected.

If it doesn't turn the motor or spin the propeller, repeat steps 3 and 4.

STEP 5

Replace the covers on the bracket taking care not to over tighten the screws.

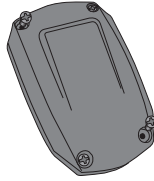


REMOTE CONTROLLER

REPLACING THE BATTERIES IN YOUR REMOTE CONTROL UNIT

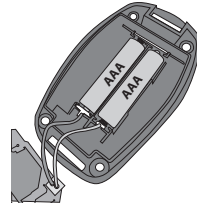
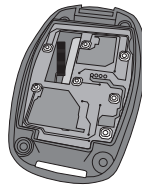
STEP 1:

Unscrew the 4 phillip head screws and remove the back of the remote.



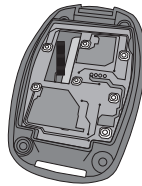
STEP 2:

gently pull up the circuit board to access the batteries. Take care not to damage the battery wires while doing this. Remove the two old AAA batteries and replace them with new ones.



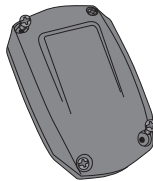
STEP 2:

Replace the circuit board carefully back into place and place the button membrane and front cover back into place



STEP 3:

Making sure everything is in it's correct place replace the screws.



STEP 4:

Fully test the remote before your next trip to make sure everything functions as it should. You may need to pair the remote to your motor. See page 25 for instructions on pairing your remote.



IMPORTANT:

We strongly advise you keep a spare set of batteries (2 x AAA) in your boat at all times as well as an appropriate screwdriver to open and close the remote.

RECOMMENDATIONS

WHEN USING YOUR WATERSNAKE MOTOR IN THE WATER

Upon connecting your battery to your motor, and before setting off in your boat, make sure that your trolling motor is mounted correctly and stowed securely. Of course once you engage your Watersnake motor for use make sure it is set to the ideal depth. About 30cm from the water surface to the top of the propeller. When you are taking off gradually increase the speed of your trolling motor, do not accelerate it up to full speed right away. For example, if you have a 5 speed trolling motor, don't click through all of the other speeds really fast to get to 5, slowly go up to 1 speed, 2 speed, and so on. It is recommended not to run your trolling motor out of water for long periods of time.

AFTER EVERY USE

- Disconnect motor from batteries. This can be done by simply disconnecting the Anderson plugs.
- Check Anderson plugs are clean and corrosion free.
- A light spray of WD40 inside your Anderson plugs will reduce corrosion and build-up.
- Recharge battery as soon as possible.
- Wipe down the Watersnake motor with a damp sponge, even after freshwater use. Do not use high pressure as it may drive water and salt inside the motor. Concentrate on areas where salt, dirt and weed fragments are likely to lodge – propeller, motor housing, composite shaft, turnbox, depth collar and exposed parts of deck mount assembly.
- Deploy your motor and wipe the shaft clean of any salt or dirt. It is recommended to lubricate the shaft before stowing the motor for storage.
- Wipe these areas with a cloth soaked in warm soapy water and allow to dry.
- Apply a light coating of a non-staining silicone, petroleum-based or lanolin spray to protect and lubricate exposed parts. Wipe over with a soft, dry cloth.
- Store your Watersnake motor disconnected from its battery.
- If boat is stored outdoors, remove Watersnake and store securely indoors in a cool, dry place.
- If your Watersnake motor is permanently mounted to the boat outdoors, protect it from sun and rain with a tarpaulin or other cover.
- Lengthy exposure to the elements can affect your motor and it's warranty.

MAINTENANCE

MAINTENANCE PERIODICALLY DURING THE SEASON

- Disconnect motor from battery. Inspect battery terminals and cables for signs of corrosion. Remove buildup with a small wire brush and treat with anti-corrosion spray.
- Check Anderson plugs are clean and corrosion free.
- A light spray of WD40 inside your Anderson plugs will reduce corrosion and build-up.
- Apply a silicone, lanolin or carnauba wax coating to the composite shaft to ensure free running through the turnbox.
- Remove left and right side covers from the deck mount assembly with Phillips head screwdriver and remove any dirt, salt, mud or debris inside. Gently rinse with fresh water, allow to dry and apply marine grease to all friction points, such as the stow and deploy mechanism.
- Check for any loose screws/bolts, fasteners in deck mount assembly and upper quick release plate. Retighten as required.
- Remove motor from bottom quick-release plate and check tightness of bolts against foredeck/gunwale of your boat. Retighten as required.
- Check condition of remote batteries for corrosion or leakage. Replace if suspect.

END OF SEASON, LONG-TERM STORAGE

- Disconnect motor from battery.
- Inspect battery terminals and cables for signs of corrosion. Remove buildup with a wire brush and treat with anti-corrosion spray.
- Check Anderson plugs are clean and corrosion free.
- A light spray of WD40 inside your Anderson plugs will reduce corrosion and build-up.
- Apply a silicone, lanolin or carnauba wax coating to the composite shaft to ensure free running through the turnbox.
- Remove the side covers from the mounting bracket. Clean any dirt, debris or corrosion from the mechanism and reapply marine grease to any moving parts.
- Remove batteries from remote control.
- Remove motor from boat and store in a cool, dry place away from temperature extremes. Cover your Watersnake motor to prevent dust and dirt buildup.
- Apply Dielectric grease to electronics.

TROUBLESHOOTING

A significant number of issues can be caused by a disruption of power supplied to your Watersnake motor. Careful inspection of your 12v deep cycle or LiFePO₄ battery, wiring and set up should be completed before assuming that there is a fault with your motor.

IMPORTANT!

BEFORE DOING ANYTHING WITH THE PROPELLER, ENSURE THE CABLES TO THE BATTERY ARE DISCONNECTED.

NO POWER / REDUCED POWER

NOTE – Your Watersnake motor is fitted with a tilt switch that prevents the motor from running unless it is in the deployed (vertical) position.

- Check that battery connection has not been reversed (reversed polarity).
- Check that your 12v deep cycle or LiFePO₄ battery is fully charged (+ 12v).
- Check terminals / connections are secure and not loose.
- Check terminals / connections for any signs of damage, corrosion or build up of debris including anderson plugs.
- Check anderson plugs.
- If battery lead has been extended, ensure correct gauge wire has been used (refer to table on page 14 of manual).
- Remove propeller and check for any build up of fishing line / weed or any other debris.
- Check that propeller pin (shear pin) is in place.
- Armature or magnet cracked or dislodged – grinding noise will come from motor (CONTACT WATERSNAKE).

NOISE OR VIBRATION COMING FROM MOTOR

Check that propeller is securely tightened and shear pin is in place
Remove propeller and check for any build up of fishing line / weed or any other debris.

- Check that your 12v deep cycle or LiFePO₄ battery is fully charged (+ 12v).

MOTOR WILL NOT RUN AT VARIABLE SPEEDS

- Check that your 12v deep cycle or LiFePO₄ battery is fully charged (+ 12v).
- Check terminals / connections are secure and not loose.
- Check terminals / connections for any signs of damage, corrosion or build up of debris including anderson plugs.
- Ensure motor is on and remote battery has charge.

TROUBLESHOOTING

MOTOR HAS DIFFICULTY STEERING

- Check if coiled power lead from base to motor head is tangled/knotted around shaft. Stop and unravel or raise shaft from turnbox collar and manually rotate to disentangle.

DIFFICULTY DEPLOYING OR STOWING

- Ensure you follow correct deploy/stow process (refer Stow and Deploy section in this manual. Pages 17 -22).
- Check for obstructions within the mounting assembly.
- Lubricate shaft with spray lubricant. Concentrate spray on area where shaft runs through turnbox.
- Clean any debris from the mounting bracket.
- Remove the side covers from the mounting bracket and apply marine grease to moving parts of the stow/deploy mechanism

REMOTE CONTROL

- Remote not operational – 2 x AAA batteries may need replacement. Phillips head screwdriver required. See page 26 for instructions.
- Remote on but not connected to the motor. Pair the remote to the motor see page 25 for instructions.

SERVICING

SERVICING YOUR WATERSNAKE ELECTRIC MOTOR

When it's time for your Watersnake electric motor to be serviced, it is recommended you choose to use an Authorised Service Agent such as Anglers' Central Service Centre to perform the service.

For Australian residents, you can find up to date contact details on our website.

Vist: www.watersnake.com.au/pages/watersnake-motors-spare-parts
alternatively you can scan the QR code.



Outside Australia, please contact your local distributor as listed on the back page of this booklet.

Watersnake electric motors are precision instruments that rely on exacting alignment of numerous components; it is worth considering taking your electric motor to an Authorised Service Agent for servicing.

IMPORTANT!

If you choose to service the electric motor yourself or through any other third party not authorised by Watersnake Distribution Pty Ltd to service Watersnake motors, the motor will no longer be covered under the normal consumer guarantees. Items or issues from that time on and thereafter will be the sole responsibility of the owner. It is important to make sure you use good quality grease, and remember do not over lubricate. Small amounts of grease in the correct places are more important.

SPECIFICATIONS

WATERSNAKE FIERCE 2 54LB / 48" SHAFT MODELS

MODELS	CODE: 55276 NAME: FIERCE 2 54/48 WHITE SALTWATER
VOLTAGE (V)	12 VOLT
MAX.THRUST (LB)	54LB
MAX.RPM	1700r/min (No load)
SPEEDS	VARIABLE
SHAFT LENGTH (IN)	48" / 122cm
SHAFT WALL	4.25mm
SHAFT DIAMETER	1.2"/30mm
AVERAGE AMP DRAW (A/H)	34A
MAX AMP DRAW (A/H)	50A
MAX WATTS	600W INPUT 290W OUTPUT
PROP	3 BLADE-WEEDLESS (PITCH 94mm)
REMOTE CONTROL	DIGITAL FOB
FOOT CONTROL	NOT AVAILABLE
MOUNTING	BOW MOUNT
WIRE GAUGE	10AWG (5.2mm ²)
REQUIRED BATTERY	12v DEEP CYCLE OR LiFePO4
MIN. RECOMMENDED BATTERY SIZE	100 AMP HOUR *
MAX SUGGESTED LOADED BOAT WEIGHT	UP TO 650KG
MOTOR WEIGHT	12.2KG

*** NOTE** - this is to be used as a guide only. Check with your battery supplier to confirm required size of 12 volt deep cycle or LiFePO4 battery that will be appropriate for your situation. Your Watersnake Fierce 2 motor is fitted with built in voltage protection, current protection and overheating temperature control. The use of a circuit breaker is not required.

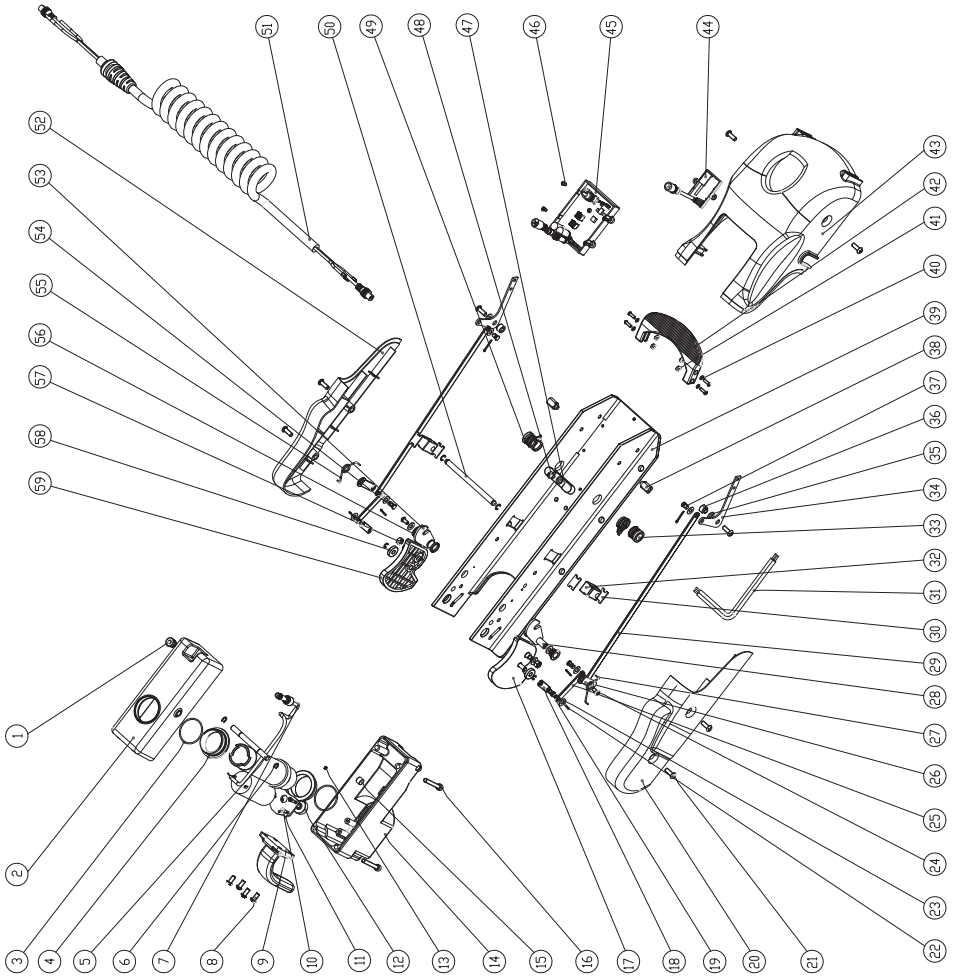
SPECIFICATIONS

WATERSNAKE FIERCE 2 65LB / 54" SHAFT MODELS

MODELS	CODE: 55277	NAME: FIERCE 2 65/54 WHITE SALTWATER
VOLTAGE (V)	12 VOLT	
MAX.THRUST (LB)	65LB	
MAX.RPM	1650r/min (No load)	
SPEEDS	VARIABLE	
SHAFT LENGTH (IN)	54" / 137cm	
SHAFT WALL	4.25mm	
SHAFT DIAMETER	1.2"/30mm	
AVERAGE AMP DRAW (A/H)	30A	
MAX AMP DRAW (A/H)	43A	
MAX WATTS	516W INPUT 310W OUTPUT	
PROP	3 BLADE-WEEDLESS (PITCH 94mm)	
REMOTE CONTROL	DIGITAL FOB	
FOOT CONTROL	NOT AVAILABLE	
MOUNTING	BOW MOUNT	
WIRE GAUGE	10AWG (5.2mm ²)	
REQUIRED BATTERY	12v DEEP CYCLE OR LiFePO ₄	
MIN. RECOMMENDED BATTERY SIZE	100 AMP HOUR *	
MAX SUGGESTED LOADED BOAT WEIGHT	UP TO 800KG	
MOTOR WEIGHT	12.6KG	

* **NOTE** - this is to be used as a guide only. Check with your battery supplier to confirm required size of 12 volt deep cycle or LiFePO₄ battery that will be appropriate for your situation. Your Watersnake Fierce 2 motor is fitted with built in voltage protection, current protection and overheating temperature control. The use of a circuit breaker is not required.

SCHEMATICS AND PARTS LIST



55276
Fierce 2
54/48"

SCHEMATICS AND PARTS LIST

TO ORDER
YOUR WATERSNAKE
FIERCE 2 PARTS, VISIT:

www.anglerscentral.com.au

PART NO.

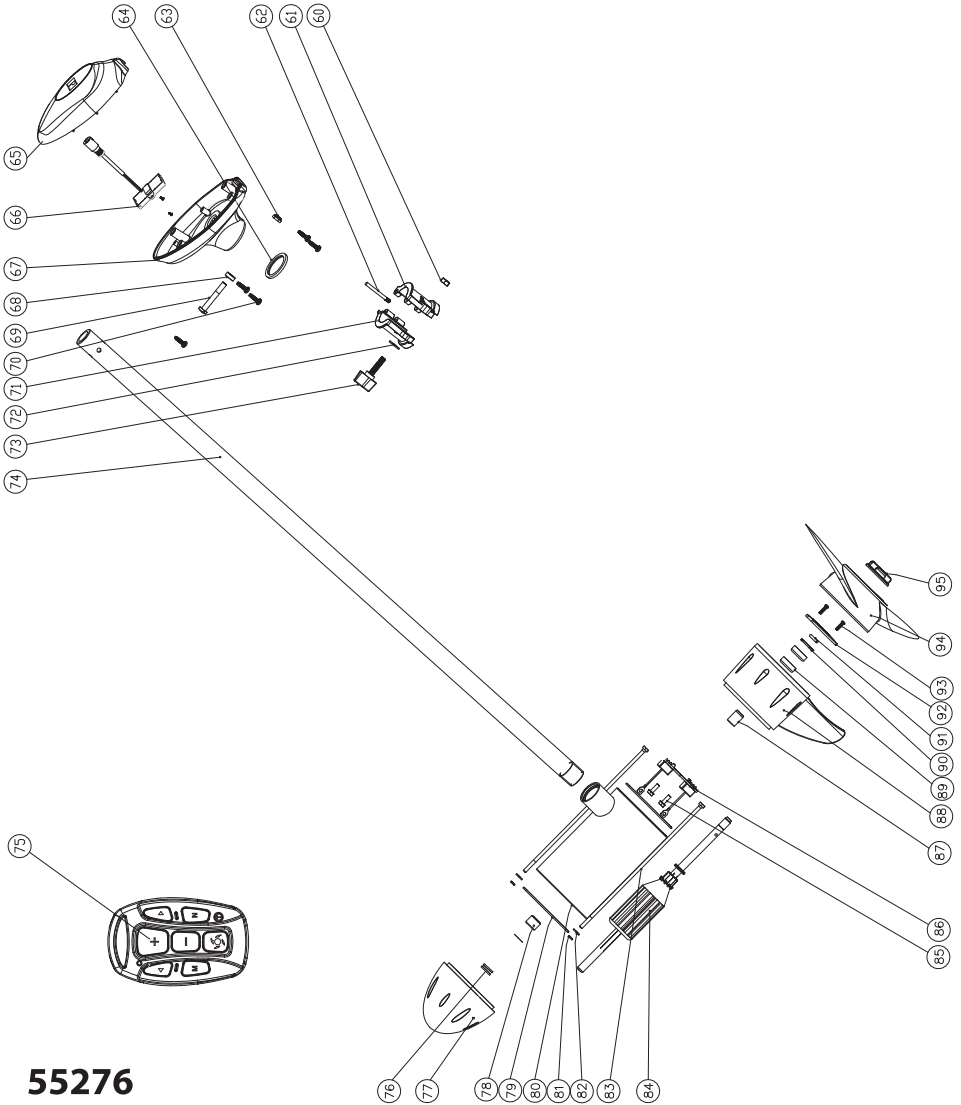
No.	DRAWING No.	PART NAME	Q'TY
31	HP6.647.202.00	power line	1
30	HP8.610.082.45	cushion pad baffle	4
29	HP8.350.020.00	drag link	2
28	HP6.201.033.00	right connecting rod pin assembly	1
27	HP8.383.110.00	right hand torsional spring	1
26	HP8.350.018.00	link	2
25	HP8.350.019.00	The secondary bar	2
24	HP8.902.198.00	screw	2
23	HP8.940.056.00	spring washer	6
22	HP8.264.569.000	split pin	6
21	HP8.902.196.00	screw	8
20	HP8.634.063.070	right side plate	1
19	HP8.264.480.000	The secondary pin	2
18	HP8.530.017.00	The push rod	1
17	HP6.154.002.00	Right movable board assembly	1
16	HP8.902.194.45	screw	4
15	HP8.530.064.06	alnico	1
14	HP8.010.006.158	bottom cover of turning box	1
13	HP8.904.087.16	Hexagon socket flat end set screws	1
12	HP8.415.168.000	pinion	1
11	HP8.902.025.00	screw	3
10	HP8.902.193.000	screw	8
9	HP8.621.027.00	The handle	1
8	HP8.902.195.00	screw	4
7	HP6.647.201.000	two core wire assy	1
6	HP8.245.079.45	C-retaining ring	2
5	HP8.264.329.45	The gusset plate pin	1
4	HP8.210.335.00	Locating sleeve	2
3	HP8.662.063.00	sealing ring	2
2	HP8.010.005.158	top cover of turning box	1
1	HP8.210.332.00	wire protecting sleeve	1

PART NO.

59	HP6.154.001.00	left side plate	1
58	HP8.220.244.00	socket	2
57	HP8.379.053.00	nut M6	2
56	HP8.210.529.00	nested	2
55	HP8.383.109.00	left hand torsional spring	1
54	HP8.264.482.00	link pin	2
53	HP6.201.032.00	left connecting rod pin assembly	1
52	HP8.634.062.00	left side plate	1
51	HP6.647.312.00	wire assy	1
50	HP8.303.022.00	axis of rotation	1
49	HP8.210.333.00	wire protecting sleeve	1
48	HP8.902.384.00	screw	1
47	HP8.683.041.00	Elastic cushion block	1
46	HP8.902.256.00	screw	4
45	HP6.702.152.000	drive controller	1
44	HP6.702.116.000	receiver	1
43	HP8.076.028.070	front cover	1
42	HP8.335.000.00	footplate	1
41	HP8.306.071.00	nut M4	4
40	HP8.940.268.00	spring washer	4
39	HP8.601.049.024	bottom plate	1
38	HP8.264.484.000	shaft pin	2
37	HP8.264.479.00	stay rod pin	2
36	HP8.210.336.000	crank shaft sleeve	8
35	HP8.940.091.00	spring washer	6
34	HP8.350.021.00	crank	2
33	HP8.210.334.00	wire protecting sleeve	1
32	HP8.683.042.00	cushion rubber	2

55276
Fierce 2
54/48"

SCHEMATICS AND PARTS LIST



55276
Fierce 2
54/48"

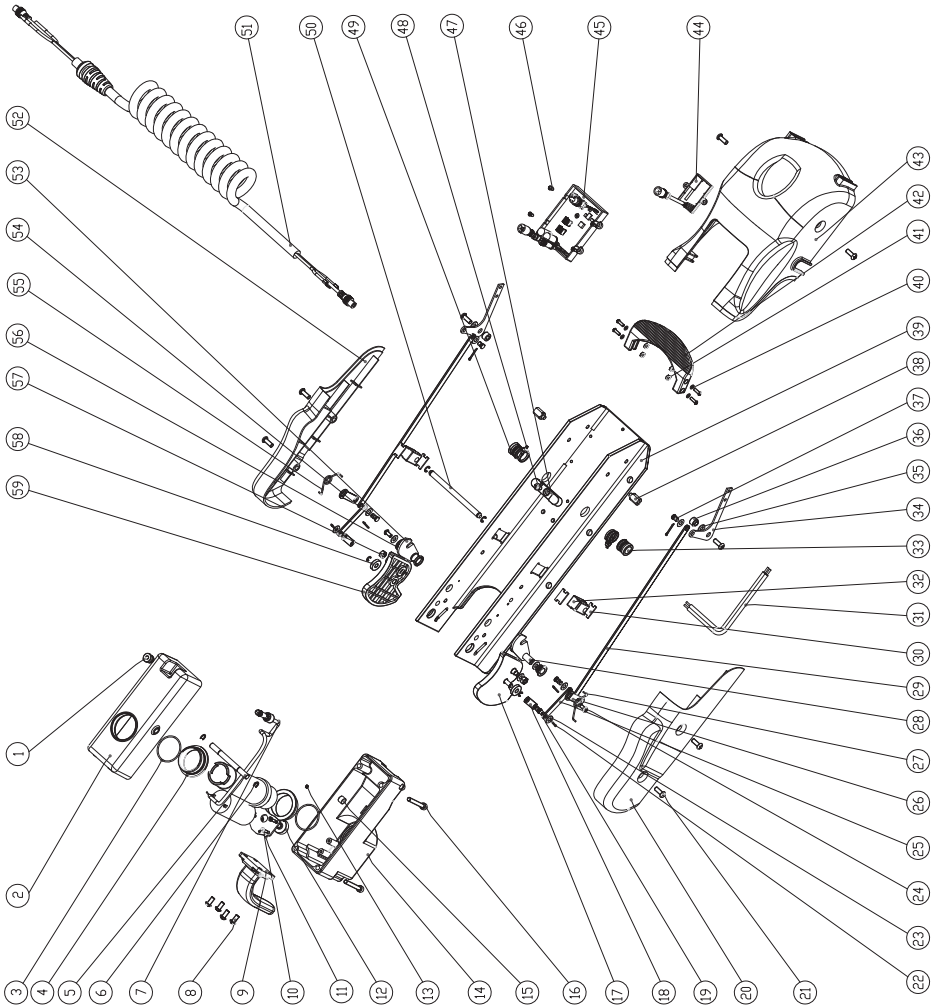
SCHEMATICS AND PARTS LIST

TO ORDER
YOUR WATERSNAKE
FIERCE 2 PARTS, VISIT:
www.anglerscentral.com.au

PART NO.			
No.	DRAWING NO.	PART NAME	Q'TY
95	HP6.482.001.00	prop nut	1
94	HP6.393.001.000	prop	1
93	HP8.903.187.000	screw	2
92	HP7.690.001.00	sacrificial anode	1
91	HP8.264.157.00	pin	1
90	HP8.683.049.45	retainer ring	1
89	HP6.475.000.00	sealing ring	2
88	HP8.010.002.158	front cover	1
87	HP8.251.000.00	oil bearing	1
86	HP6.670.114.000	brush frame assy	1
85	HP8.903.060.07	bolt	2
84	HP6.656.004.00	rotor assy	1
83	HP8.926.018.00	connecting screw rod	2
82	HP8.610.049.00	hexagonal washer	2
81	HP8.662.015.00	mini O-sealing ring	2
80	HP6.652.001.01	stator assy	1
79	HP8.662.016.00	o-sealing ring	2
78	HP8.251.001.00	oil bearing	1
77	HP8.010.003.158	back cover	1
76	HP6.260.000.00	thrust bearing	1
75	HP6.789.011.000	remote controller	1
74	HP6.657.155.999	shaft	1
73	HP6.480.014.00	bolt	1
72	HP8.940.313.00	washer	1
71	HP8.242.153.00	right body of depth adjustment collar	1
70	HP8.903.056.00	screw	4
69	HP8.926.045.00	bolt	1
68	HP8.220.378.70	bushing	1
67	HP8.076.456.070	bottom cover	1
66	HP6.331.051.000	voltage indicator	1
65	HP8.076.172.070	top cover	1
64	HP8.662.083.00	sealing ring	1
63	HP6.482.000.00	lock nut	1
62	HP8.264.468.00	pin	1
61	HP8.242.152.00	left body of depth adjustment collar	1
60	HP8.379.073.00	nut	1
No.	DRAWING NO.	PART NAME	Q'TY

55276
Fierce 2
54/48"

SCHEMATICS AND PARTS LIST



55277
Fierce 2
65/54"

SCHEMATICS AND PARTS LIST

TO ORDER
YOUR WATERSNAKE
FIERCE 2 PARTS, VISIT:

www.anglerscentral.com.au

PART NO.

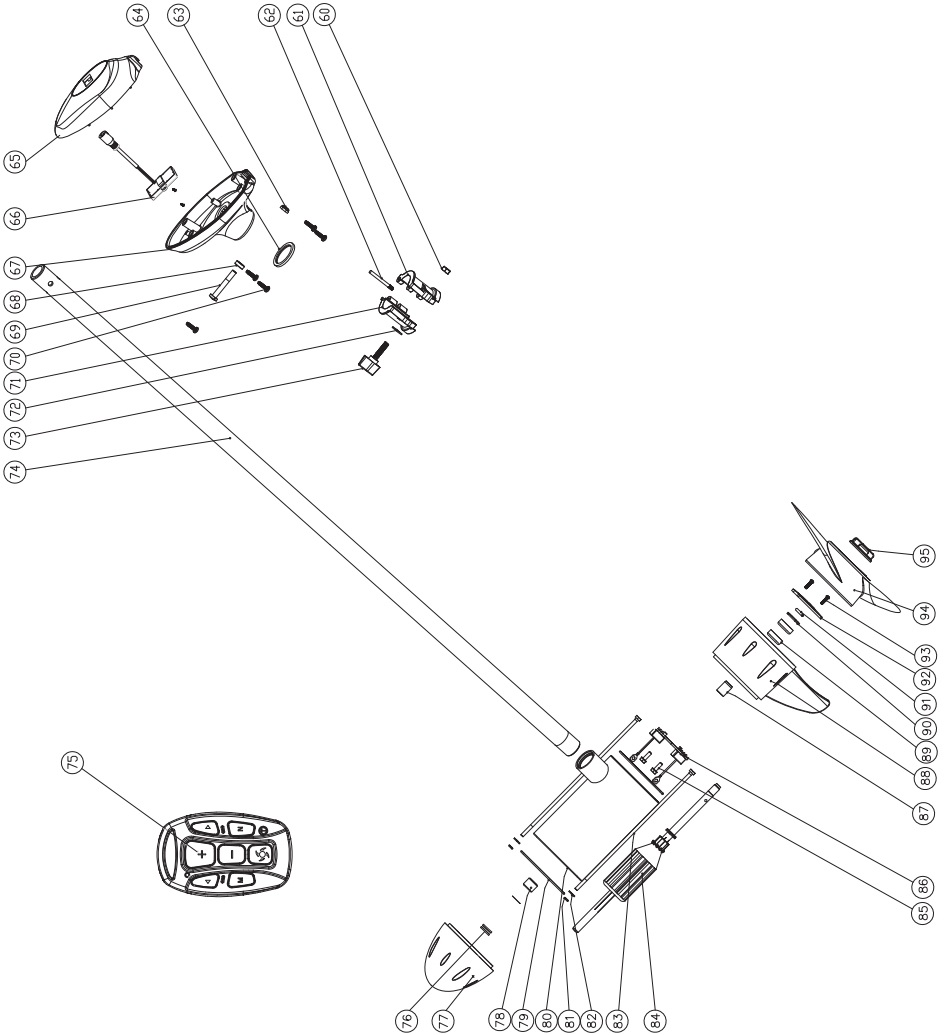
31	HP6.647.202.00	power line	1
30	HP8.610.082.45	cushion pad baffle	4
29	HP8.350.020.00	drag link	2
28	HP6.201.033.00	right connecting rod pin assembly	1
27	HP8.383.110.00	right hand torsional spring	1
26	HP8.350.018.00	link	2
25	HP8.350.019.00	The secondary bar	2
24	HP8.902.198.00	screw	2
23	HP8.940.056.00	spring washer	6
22	HP8.264.569.000	split pin	6
21	HP8.902.196.00	screw	8
20	HP8.634.063.070	right side plate	1
19	HP8.264.480.000	The secondary pin	2
18	HP8.530.017.00	The push rod	1
17	HP6.154.002.00	Right movable board assembly	1
16	HP8.902.194.45	screw	4
15	HP8.530.064.06	alnico	1
14	HP8.010.006.158	bottom cover of turning box	1
13	HP8.904.087.16	Hexagon socket flat end set screws	1
12	HP8.415.168.000	pinion	1
11	HP8.902.025.00	screw	3
10	HP8.902.193.000	screw	8
9	HP8.621.027.00	The handle	1
8	HP8.902.195.00	screw	4
7	HP6.647.201.000	two core wire assy	1
6	HP8.245.079.45	C-retaining ring	2
5	HP8.264.329.45	The gusset plate pin	1
4	HP8.210.335.00	Locating sleeve	2
3	HP8.662.063.00	sealing ring	2
2	HP8.010.005.158	top cover of turning box	1
1	HP8.210.332.00	wire protecting sleeve	1
No.	DRAWING No.	PART NAME	Q'TY

PART NO.

59	HP6.154.001.00	left side plate	1
58	HP8.220.244.00	socket	2
57	HP8.379.053.00	nut M6	2
56	HP8.210.529.00	nested	2
55	HP8.383.109.00	left hand torsional spring	1
54	HP8.264.482.00	link pin	2
53	HP6.201.032.00	left connecting rod pin assembly	1
52	HP8.634.062.00	left side plate	1
51	HP6.647.312.00	wire assy	1
50	HP8.303.022.00	axis of rotation	1
49	HP8.210.333.00	wire protecting sleeve	1
48	HP8.902.384.00	screw	1
47	HP8.683.041.00	Elastic cushion block	1
46	HP8.902.256.00	screw	4
45	HP6.702.152.000	drive controller	1
44	HP6.702.116.000	receiver	1
43	HP8.076.028.070	front cover	1
42	HP8.335.000.00	footplate	1
41	HP8.306.071.00	nut M4	4
40	HP8.940.268.00	spring washer	4
39	HP8.601.049.024	bottom plate	1
38	HP8.264.484.000	shaft pin	2
37	HP8.264.479.00	stay rod pin	2
36	HP8.210.336.000	crank shaft sleeve	8
35	HP8.940.091.00	spring washer	6
34	HP8.350.021.00	crank	2
33	HP8.210.334.00	wire protecting sleeve	1
32	HP8 683 042 00	cushion rubber	2

55277
Fierce 2
65/54"

SCHEMATICS AND PARTS LIST



55277
Fierce 2
65/54"

SCHEMATICS AND PARTS LIST

**TO ORDER
YOUR WATERSNAKE
FIERCE 2 PARTS, VISIT:
www.anglerscentral.com.au**

PART NO.

95	HP6.482.001.00	prop nut	1
94	HP6.393.001.8000	prop	1
93	HP8.903.187.000	screw	2
92	HP7.690.001.00	sacrificial anode	1
91	HP8.264.157.00	pin	1
90	HP8.683.049.45	retainer ring	1
89	HP6.475.000.00	sealing ring	2
88	HP8.010.070.158	front cover	1
87	HP8.251.000.00	oil bearing	1
86	HP6.670.095.000	brush frame assy	1
85	HP8.903.060.07	bolt	2
84	HP6.656.022.00	rotor assy	1
83	HP8.926.018.00	connecting screw rod	2
82	HP8.610.049.00	hexagonal washer	2
81	HP8.662.015.00	mini O-sealing ring	2
80	HP6.652.015.02	stator assy	1
79	HP8.662.016.00	o-sealing ring	2
78	HP8.251.001.00	oil bearing	1
77	HP8.010.071.158	back cover	1
76	HP6.260.000.00	thrust bearing	1
75	HP6.789.011.000	remote controller	1
74	HP6.657.156.999	shaft	1
73	HP6.480.014.00	bolt	1
72	HP8.940.313.00	washer	1
71	HP8.242.153.00	right body of depth adjustment collar	1
70	HP8.903.056.00	screw	4
69	HP8.926.045.00	bolt	1
68	HP8.220.378.70	bushing	1
67	HP8.076.456.070	bottom cover	1
66	HP6.331.051.000	voltage indicator	1
65	HP8.076.172.070	top cover	1
64	HP8.662.083.00	sealing ring	1
63	HP6.482.000.00	lock nut	1
62	HP8.264.468.00	pin	1
61	HP8.242.152.00	left body of depth adjustment collar	1
60	HP8.379.073.00	nut	1
No.	DRAWING NO.	PART NAME	Q'TY

**55277
Fierce 2
65/54"**

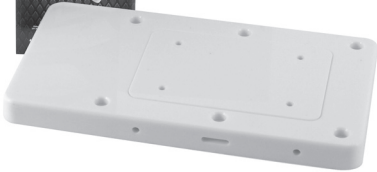
SPARE PARTS

WATERSNAKE MOTOR ACCESSORIES SOLD SEPARATELY

To order your Watersnake Geo-Spot accessories, visit:
www.anglerscentral.com.au



**Nylon
Quick Release
Bracket 55502**



**Alloy
Quick Release
Bracket 55016**



**3 Blade Prop
For 54LB Model
55130**



**3 Blade Prop
For 65LB Model
55535**



**Propeller
Accessory Kit
55132**

THE BELOW INFORMATION IS FOR THE USA ONLY.

WATERSNAKE®

Watersnake Limited One Year Warranty (USA)

All watersnake products are covered by a one year Limited Warranty covering faults in workmanship and materials from the date of original retail purchase. The purchaser should return the defective product postage prepaid, insured, with proof of purchase (a dated sales receipt) and the reason for return to the address below:

**Innovative Procurement
124, Opportunity Rd, Camdenton,
MO 65020, United States
PH: +1 573-346-7447**

Online Store for spare parts and accessories: watersnakeusa.com

Note: Residents of Hawaii, Alaska, and U.S. territories shall be billed for return shipping via registered priority mail. Watersnake will repair or replace the product at its option and return direct to purchaser.

Terms

This Limited Warranty does not cover Watersnake products damaged due to abuse, misuse, normal wear, or excessive wear caused by neglect of cleaning and lubrication required or general service requirements due to owner's failure to provide reasonable and necessary maintenance.

This Warranty does not extend to products which are put into commercial use. Commercial use is defined as any work or employment related use of the product which generates income.

Watersnake products not covered by this Limited Warranty may be repaired at a nominal charge to the purchaser, provided parts are available and the product is returned with return postage prepaid.

The warranties described herein shall be the sole and exclusive warranties granted by Watersnake and shall be the sole and exclusive remedy available to the purchaser. Correction of defects, in the manner and time period described herein, shall constitute complete fulfillment of all liabilities and responsibilities of Watersnake to the purchaser with regard to this product, and shall constitute full satisfaction of all claims, whether based on contract, negligence, strict liability or otherwise. Watersnake shall not be liable or in any way responsible for any damages or defects caused by repairs or attempted repairs performed by anyone other than a Watersnake authorised service agent. Watersnake reserves the right to amend or change this Limited Warranty at any time. This Limited Warranty is non-transferable.

The provisions of this Limited Warranty are in addition to, and not a modification of, or a subtraction from, the statutory warranties and other rights and remedies contained in any applicable legislation. To the extent that any provision of this Limited Warranty is inconsistent with any applicable law, such provision shall be deemed voided or amended as necessary, to comply with such law.

"ALL INCIDENTAL AND/OR CONSEQUENTIAL DAMAGES ARE EXCLUDED FROM THIS WARRANTY INSERT. IMPLIED WARRANTIES ARE LIMITED TO THE LIFE OF THIS WARRANTY. SOME STATES DO NOT ALLOW LIMITATIONS ON HOW LONG AN IMPLIED WARRANTY LASTS OR THE EXCLUSION OR LIMITATION OF THE INCIDENTAL OR CONSEQUENTIAL DAMAGES, SO THE ABOVE LIMITATIONS OR EXCLUSIONS MAY NOT APPLY TO YOU. THIS WARRANTY GIVES YOU SPECIFIC LEGAL RIGHTS, AND YOU MAY ALSO HAVE OTHER LEGAL RIGHTS THAT MAY VARY FROM STATE TO STATE."

For Your Records:

Model Number:.....

Serial Number:.....

WATERSNAKE®

CONTACT INFORMATION

Full and up to date contact information can be found at:

www.watersnake.com.au

REGION/COUNTRY	DISTRIBUTOR	PHONE
Asia Pacific		
Australia	Watersnake	+61 3 8789 7949
New Zealand	Brittain Wynyard	+64 9 306 7200
South Korea	Plady Co.	+82 10 9894 9938
USA		
USA	Innovative Procurement, LLC	+1 573 346 7447
USA	Sea Eagle Boats Inc.	+1 631 791-1799
Africa		
South Africa	Apex Walker	+27 11 4621 302
Europe		
Italy	Europesca Sport	+39 06 6500 2449
Sweden	Wiggler AB	+46 303 798 744
United Kingdom	Dennet Outdoor	+44 0 2871 38 3033

Spare Parts:

Anglers Central Service Centre

To order spare parts online visit:

www.anglerscentral.com.au

Shipping Internationally

www.watersnake.com.au

Watersnake Distribution Pty. Ltd.
297-305 South Gippsland Highway
Dandenong South, Victoria 3175 Australia
ACN: 143 230 175

Watersnake® and Jarvis Marine® are registered trademarks of Watersnake Distribution Pty. Ltd.

© Watersnake Distribution Pty. Ltd. All Rights Reserved.
Specifications are subject to change without notice.