



SHELTER SETUP INSTRUCTIONS

SHELTER ALL NIGHT 3.0 M X 3.0 M

(The product may look different from yours. It is for illustration purpose only.)

Before you begin

- Read all instructions before set up.
- Select a level site clear of rocks, branches, and other hard or sharp objects, to install your shelter.
- ▲ **WARNING: Keep clear of overhead power lines.**
- Do not set up your shelter under trees because of potential lightning strikes or falling tree limbs in inclement weather.
- **NOTICE:** Secure product with all ground stakes, guylines and fly attachments for optimal performance and to prevent property damage or personal injury.
- For best results in windy conditions, position narrow end of shelter into the wind.
- Do not drop shelter.
- Do not bounce shelter bag on its end to remove shelter, as these actions may damage the frame.
- Not intended for permanent use.
- **THIS RECREATIONAL PRODUCT REQUIRES A MINIMUM OF TWO PEOPLE TO ASSEMBLE.**
- Under no circumstances should this product be used to cover automobiles, marine products or similar items.

CAUTION: Avoid pinch points when opening and closing the shelter frame.

How to Store

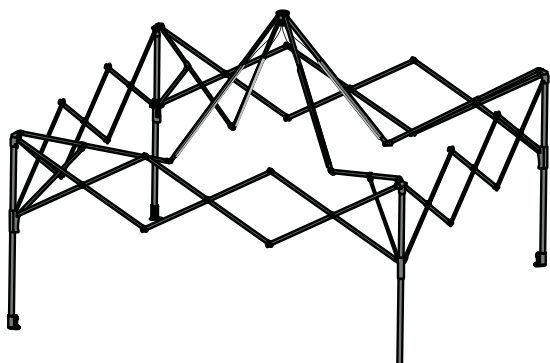
1. All stakes must be placed in the storage bag to prevent damage to the fabric.
2. Remove all fabric from frame for storage.
3. Make sure all components are clean and dry before placing in carry case.
4. Store in a clean, dry area.

Things You Should Know

- Under certain conditions (cold weather, high humidity, etc.) condensation will form on the inside of your shelter. Condensation is caused by water vapor from your breath, perspiration, or any wet clothing inside the shelter. It is **NOT LEAKAGE** through the shelter fabric.
- Tree limbs, tree sap, bird droppings, or moisture steadily dripping off tree limbs can cause damage to the shelter fabric and its coating resulting in leaks or loss of flame-resistant properties.
- Never store shelter, even for a short period of time, without drying it thoroughly and brushing off dirt. Do not pack stakes inside your shelter. Use a separate storage bag.
- Stakes should be removed by pulling on the stake itself. **NEVER PULL ON THE SHELTER TO REMOVE STAKES AS THIS COULD RESULT IN PROPERTY DAMAGE OR PERSONAL INJURY.**
- Do not leave your shelter set-up for weeks at a time. Be aware that exposure to ultraviolet rays from the sun can seriously damage material and/or cause it to become discolored.
- This product is not intended to be used during heavy rain, wind, hail, snow or other inclement weather.
- Remove all fabric from frame for storage.
- The shelter top, screen, and shade wall (if included) should be carefully removed during windy conditions to avoid damage to product or personal injury.
- **DO NOT** use gas or flame sources under or near this product.

▲ **WARNING: KEEP ALL FLAME AND HEAT SOURCES AWAY FROM THIS TENT FABRIC.**

This tent meets the flammability requirements of CPAI-84. The fabric may burn if left in continuous contact with any flame source. The application of any foreign substance to the tent fabric may render the flame-resistant properties ineffective.



View of frame

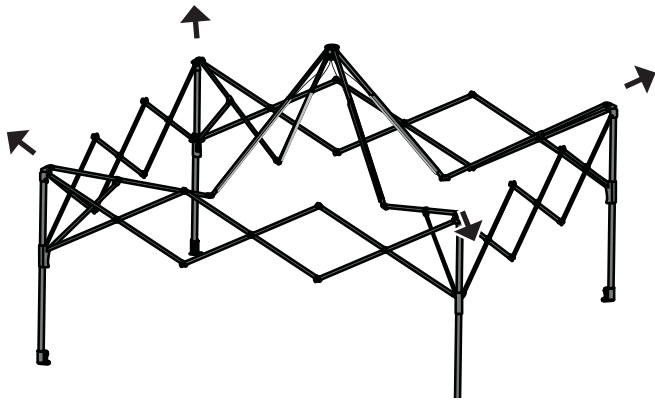


View of complete shelter

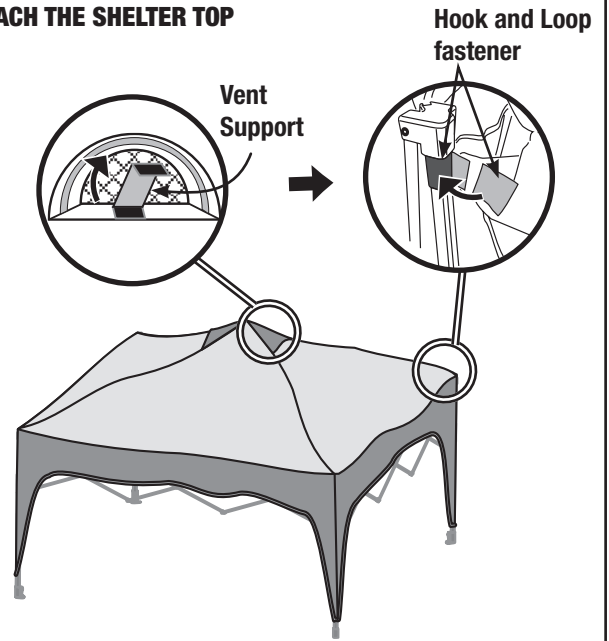
How to Set up and Disassemble

1 PARTIALLY EXTEND THE SHELTER FRAME

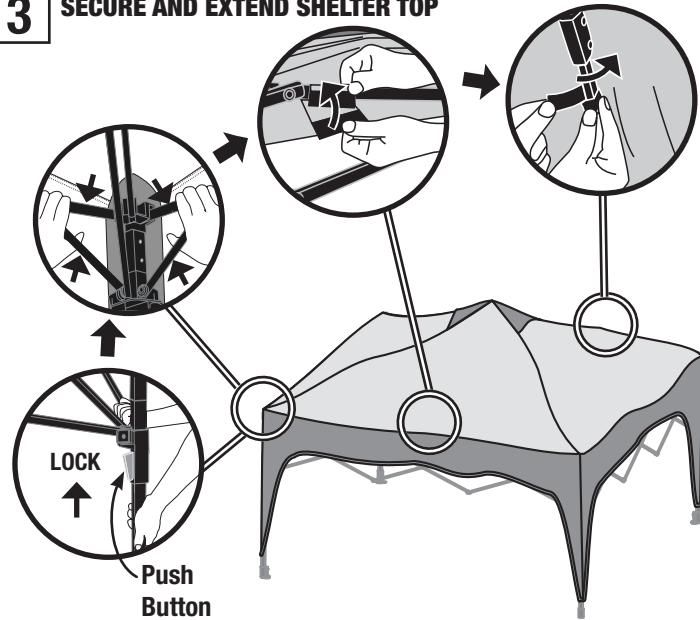
NOTE: Do not unfold frame completely. This will allow easier fit for draping shelter top over frame.



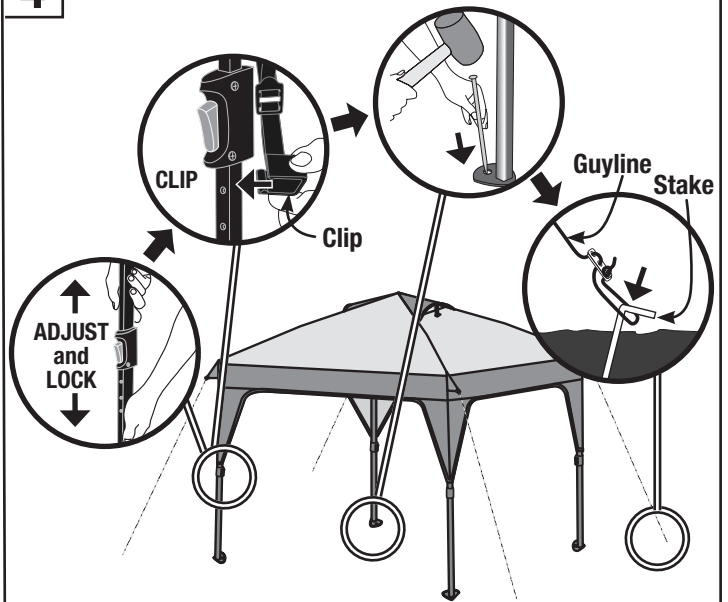
2 ATTACH THE SHELTER TOP



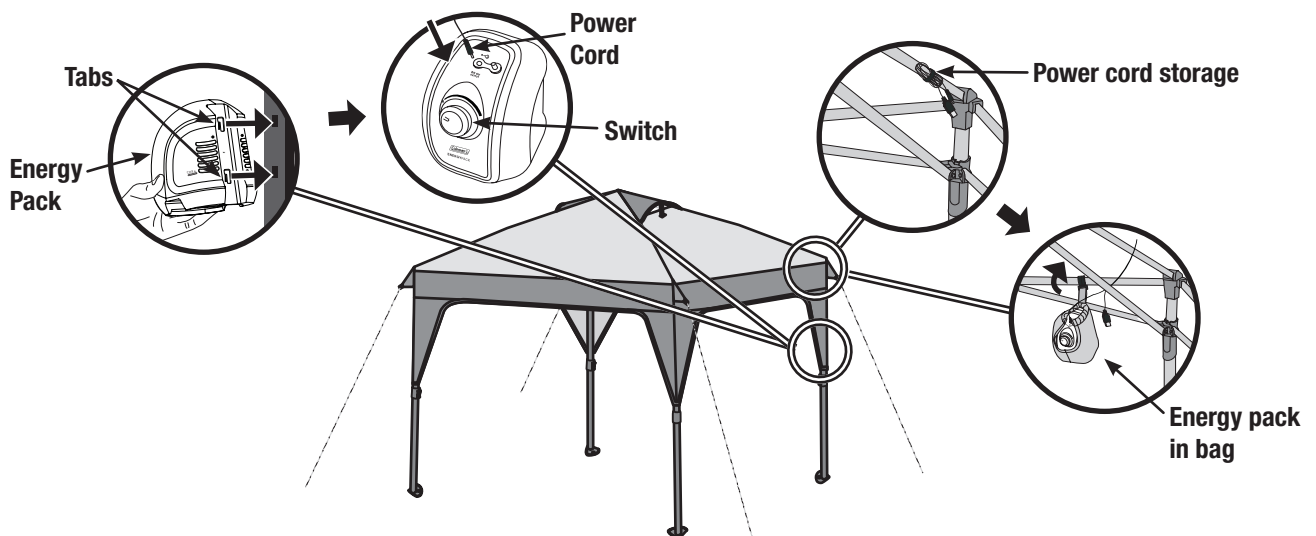
3 SECURE AND EXTEND SHELTER TOP



4 ADJUST THE HEIGHT AND SECURE THE SHELTER



5 INSTALL THE SHELTER LIGHTING ENERGY PACK ON LEG OR IN BAG



6 DISASSEMBLY

To take down the shelter, follow the previous steps and illustrations in the reverse order.

Coleman Brands Pty. Ltd.
Unit 5-6, 13 Lord Street,
Botany NSW 2019
Australia

4010052181 (ECN20060939-03)

Telephone: 1800 224 350
Email: customerservice@colemanaust.com.au
www.colemanaust.com.au

© 2017 The Coleman Company, Inc. All rights reserved.
Coleman®, Coleman and are registered trademarks of The Coleman Company, Inc.